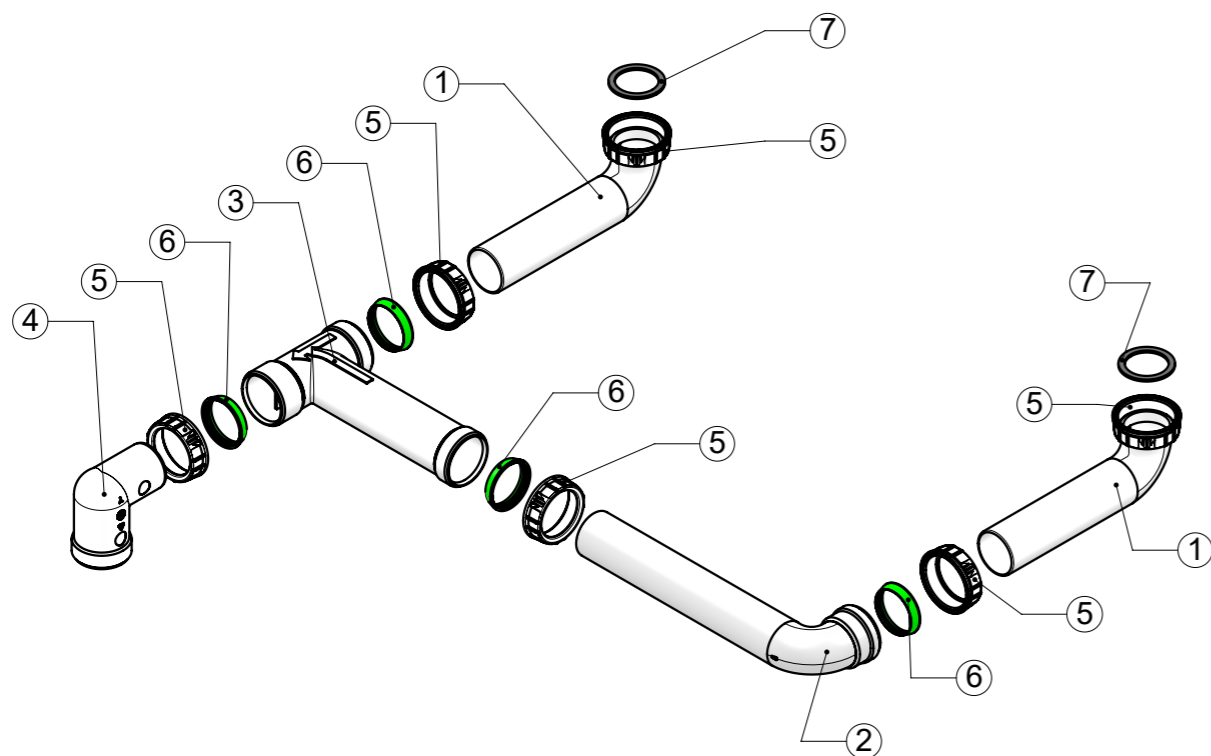
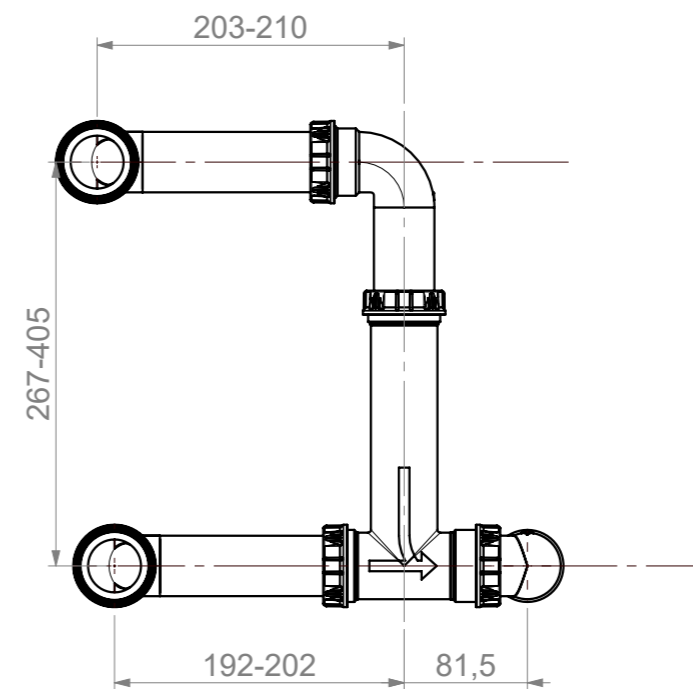
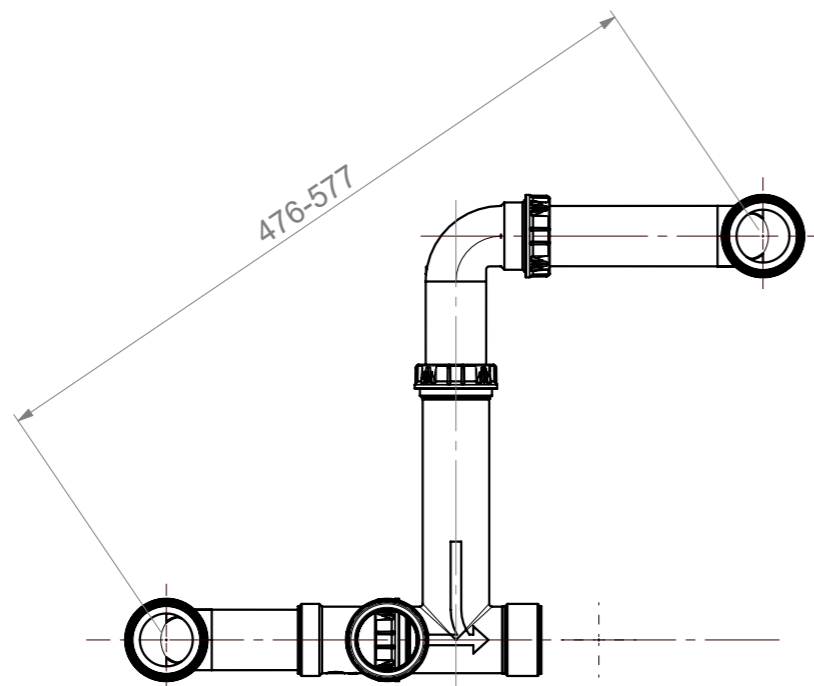


ALBA S.r.l.
07/04/2026
ac

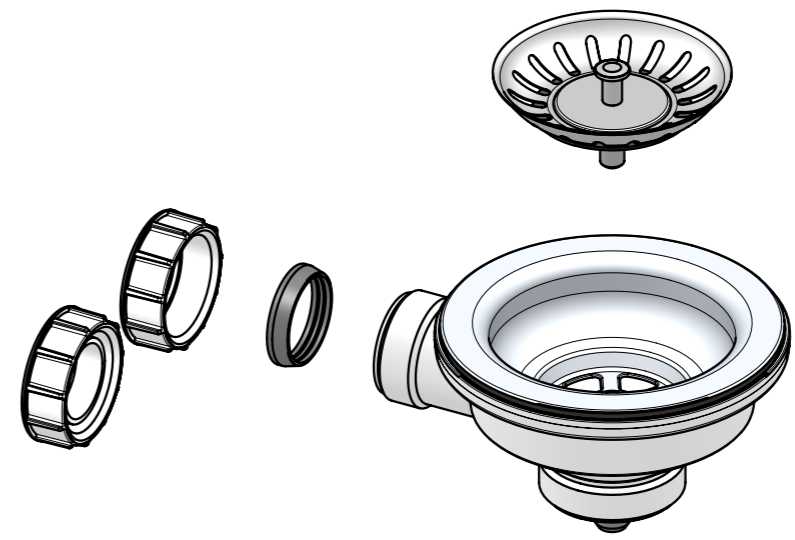
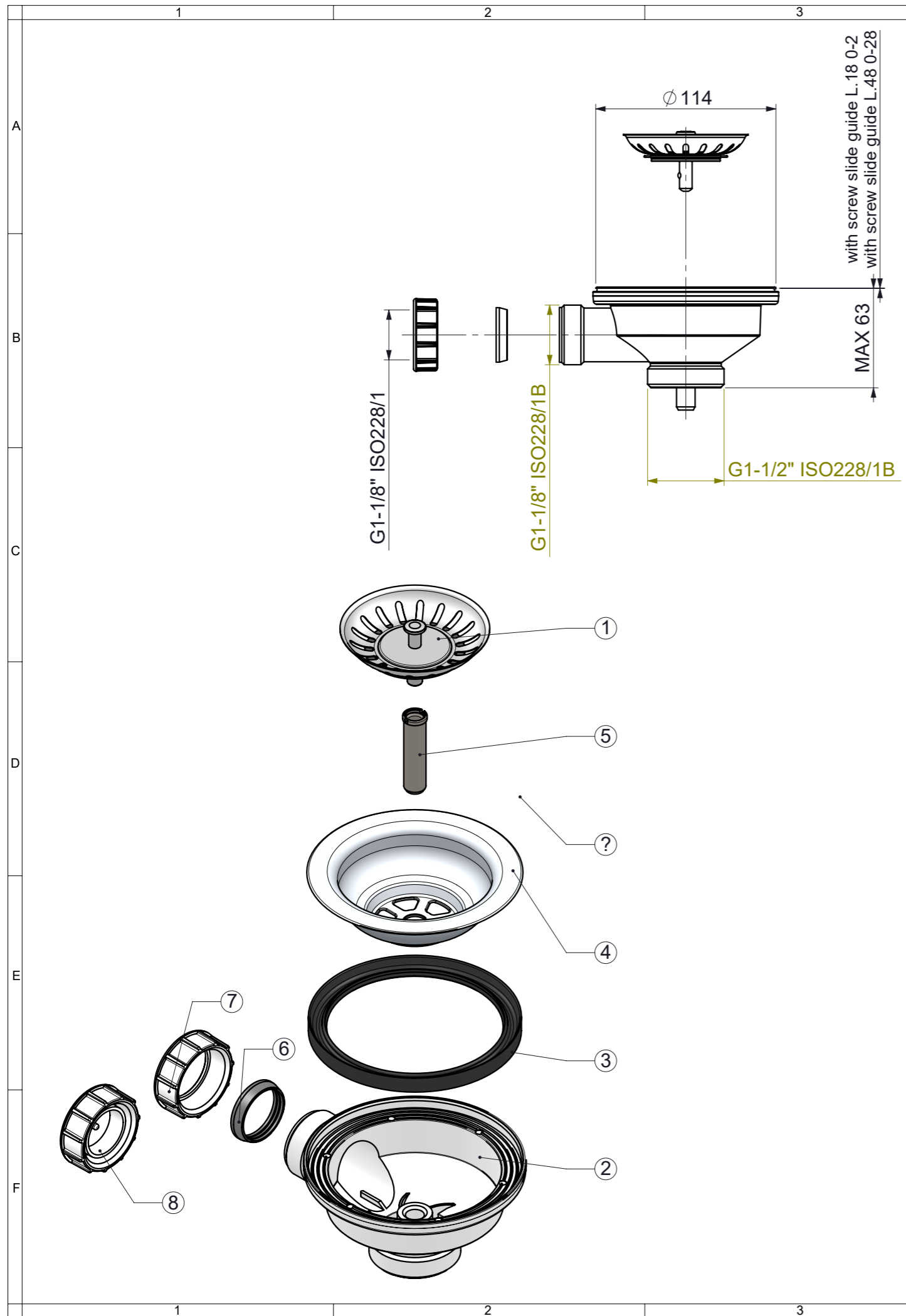


Bill of materials						
Pos.	Drawing	Code	Q.ty	Denomination	Material	Colour
1	00112	AB0ST0317R	2	L pipe connection DN40 L.170 with flat	PP	White
2	00113	AB0ST0036R	1	L pipe connection DN40 L.245 1-1/2" thread chamfer	PP	White
3	00707	AB0ST0174R	1	T-fitting D40x103x175	PP	White
4	00003	AB0ST0164R	1	L fitting DN40 thread with chamfer	PP	White
5	00005	AB0ST0068R	6	Open nut G 1-1/2"	PP	White
6	00064	AB0ST0092R	4	Conical washer DN40 plastic	PE LD GR70	Green
7	00133	AB0AQ0115R	2	Flat gasket 1-1/2" DN40 sp.2	PVC 70Sh	Grey
8	00895	FITP00004	1	Plastic bag	PE LD	
9	00886	AB0ZZ4512R	1	Label+Ass. Intruction	Label	

mm		Critical dimension or feature	General tolerance UNI EN 22768 m L	Scale 1:6 (A3)	Date	Signature	Customer code
					29/09/2025	CESARENI	STG030
					Approved	GALLIA	Commercial code
							STG030

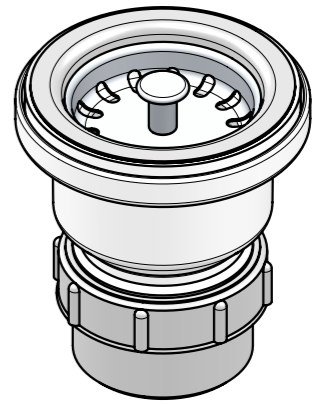
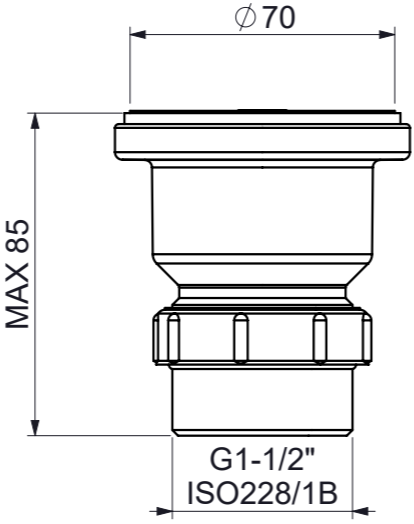
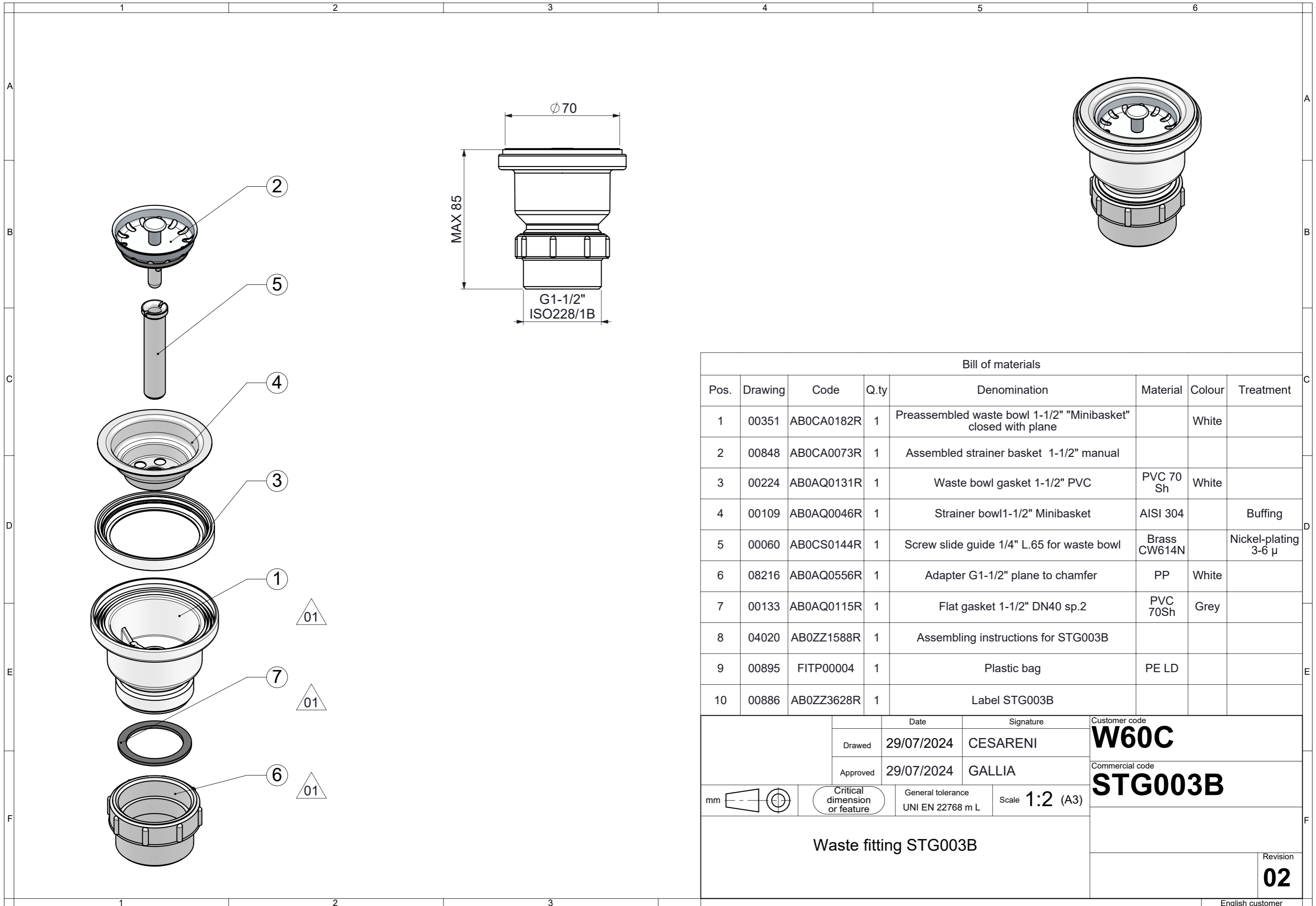
Connection kit 2W STG030

Revision
00



Bill of materials							
Pos.	Drawing	Code	Q.ty	Denomination	Material	Colour	Treatment
1	00611	AB0CA0067R	1	Assembled strainer basket 3-1/2" S5000 manual			
2	00534	AB0ST0112R	1	Waste bowl 3-1/2" S5000 open with thread	PP	White	
3	00817	AB0AQ0135R	1	Double lip seal for basket bowl 3-1/2" S5000	PVC 65ShA	Black	
4	00536	AB0CS0083R	1	Strainer bowl D.114 3-1/2" S5000	AISI 304		Buffing
5	00554	AB0CS0143R	1	Screw slide guide M12X1,75L.48 for 3-1/2" waste bowl S5000	Brass CW614N		Nickel-plating 3-6 μ
6	00150	AB0AQ0078R	1	Conical washer DN30 PVC	PVC 70 Sh	Grey	
7	00027	AB0ST0071R	1	Nut G 1-1/8" DN30	PP	White	
8	00786	AB0ST0077R	1	Closed nut G 1-1/8"	PP	White	
9	01564	AB0ZZ1211R	1	Assembling instructions for STG001			
10	00895	FITP00004	1	Plastic bag	PE LD		
11	00886	AB0ZZ4173R	1	Label 100x100 STG001			

mm		Critical dimension or feature	General tolerance UNI EN 22768 m L	Scale 2:5 (A3)	Date	Signature	Customer code
					29/07/2024	CESARENI	W/90CP
Waste fitting STG001					Approved	Signature	Commercial code
					29/07/2024	GALLIA	STG001
							Revision
							02
English customer							



Bill of materials

Pos.	Drawing	Code	Q.ty	Denomination	Material	Colour	Treatment
1	00351	AB0CA0182R	1	Preassembled waste bowl 1-1/2" "Minibasket" closed with plane		White	
2	00848	AB0CA0073R	1	Assembled strainer basket 1-1/2" manual			
3	00224	AB0AQ0131R	1	Waste bowl gasket 1-1/2" PVC	PVC 70 Sh	White	
4	00109	AB0AQ0046R	1	Strainer bowl 1-1/2" Minibasket	AISI 304		Buffing
5	00060	AB0CS0144R	1	Screw slide guide 1/4" L.65 for waste bowl	Brass CW614N		Nickel-plating 3-6 μ
6	08216	AB0AQ0556R	1	Adapter G1-1/2" plane to chamfer	PP	White	
7	00133	AB0AQ0115R	1	Flat gasket 1-1/2" DN40 sp.2	PVC 70Sh	Grey	
8	04020	AB0ZZ1588R	1	Assembling instructions for STG003B			
9	00895	FITP00004	1	Plastic bag	PE LD		
10	00886	AB0ZZ3628R	1	Label STG003B			

	Date	Signature	Customer code
Drawn	29/07/2024	CESARENI	W60C
Approved	29/07/2024	GALLIA	Commercial code
			STG003B

mm Critical dimension or feature General tolerance UNI EN 22768 m L Scale 1:2 (A3)

Waste fitting STG003B

Revision	02
----------	-----------