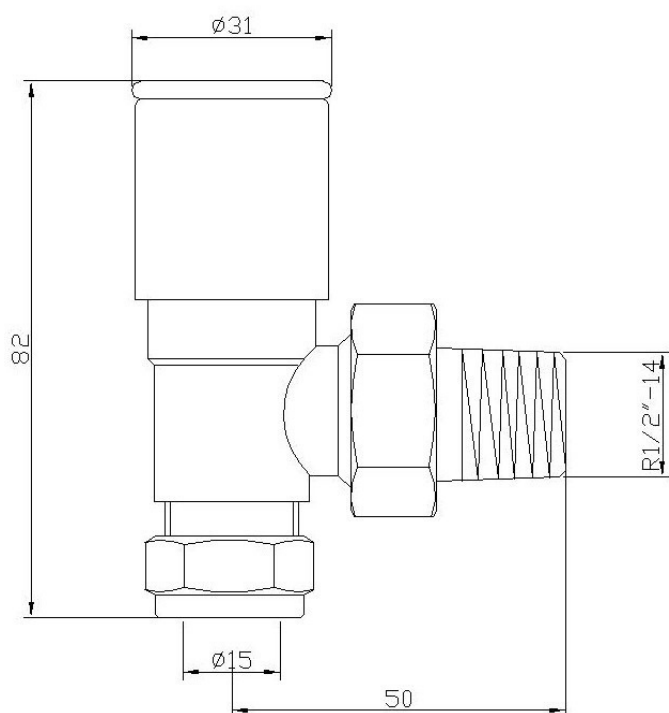


## MODERN RADIATOR VALVES ANGLED

<b>Barcode</b>	5055369019922
<b>Product Code</b>	RV002
<b>Finishes</b>	CHROME
<b>Product Type</b>	RADIATOR VALVES

### Guarantee & Aftercare

During installation extra care must be taken to avoid damaging the fittings. We provide a 10 year guarantee against faulty workmanship or materials (excluding serviceable parts), providing they have been installed, cared for and used in accordance with our instructions.



### CUSTOMER CARE:

For further information please call 01282 446789