

TECHNICAL DATASHEET



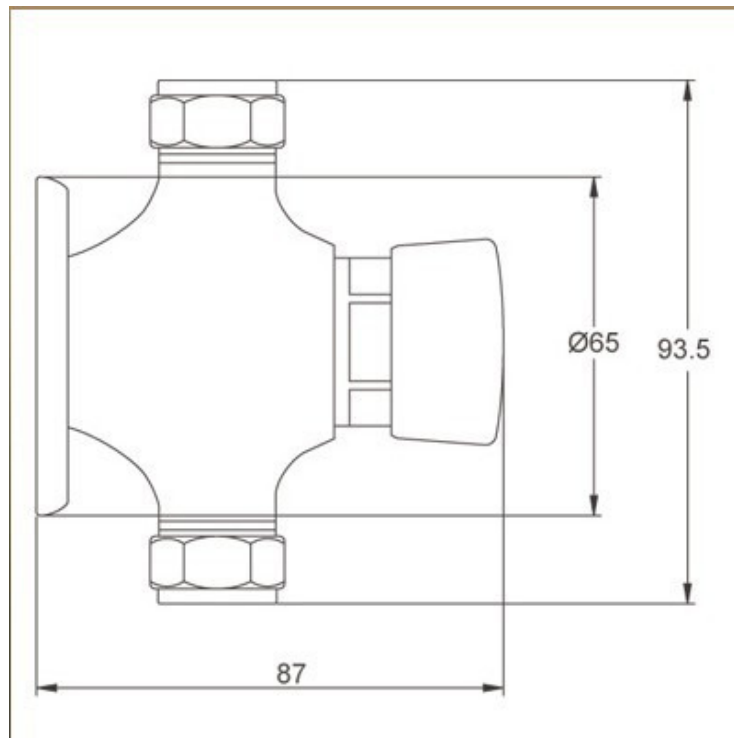
EXPOSED NON-CONCUSSIVE SHOWER VALVE

Barcode	5055369016570
Product Code	A3788
Finishes	Chrome
Product Type	Manual Valve
Water Pressure	LP2 - 0.2 bar pressure minimum
Standards	EN200 and/ or WRAS
Requirement	Suitable for all plumbing systems



Guarantee & Aftercare

During installation extra care must be taken to avoid damaging the fittings. We provide a 10 year guarantee against faulty workmanship or materials (excluding serviceable parts), providing they have been installed, cared for and used in accordance with our instructions.



COMPLIANCE: Pending

CUSTOMER CARE:

For further information please call 01282 446789

KEY TO PRODUCT PRESSURE REQUIREMENTS

LP - 0.1 bar min LP2 - 0.2 bar min MP - 0.5 bar min HP1 - 1 bar min HP2 - 2 bar min