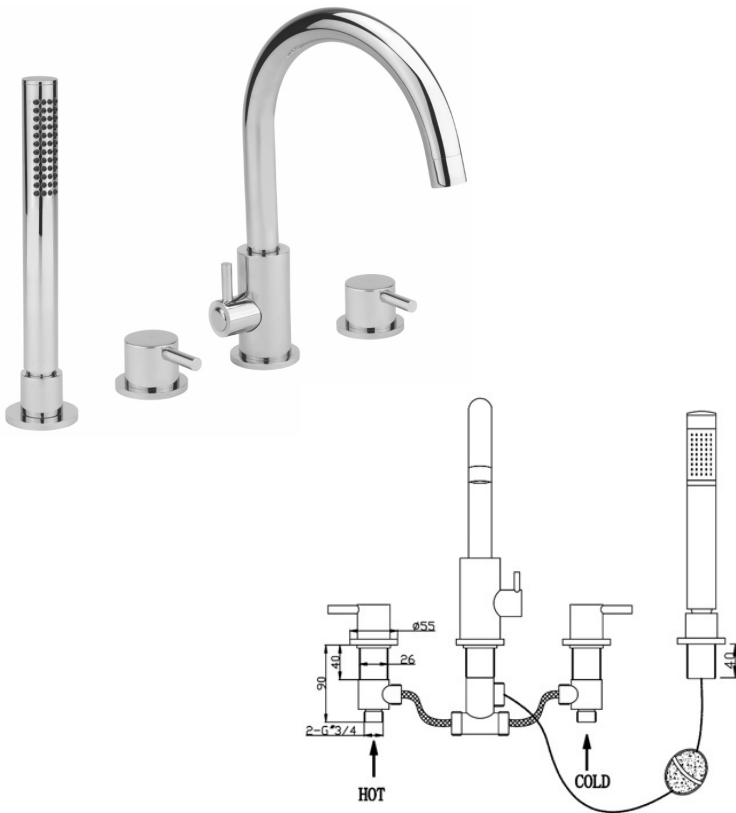


SAGITTARIUS

TAPS & SHOWERING

ERGO LEVER 4 HOLE BATH FILLER CHROME EL/114/C

Construction	Brass Body CuZn40Pb2, EN CW617N (equivalent to BS CZ122) Zinc alloy Handle
Finishes	Chrome : Ni : 8-12um, Cr : 0.25-0.3um
Product Type	Contemporary
Water Pressure	Min. 0.2 bar, Max. 6.0 bar
Plumbing Systems	Suitable for all plumbing systems
Standards	Complies with BS5412, BS EN200
Certification	-
Cartridge	¼ turn ¾" ceramic disc valve
Diverter	Ceramic disc
Aerator	Neoperl Aerator
Fitting	BSP
Packaging	47 x 32 x 38cm / carton (4 boxes / carton)
Guarantee	10 years against manufacturing faults (excluding serviceable parts).
Additional Information	1. Shower handset : Chrome , Brass 2. Shower hose : Stainless steel , 1.5m



System Pressure	0.1 Bar	0.2 Bar	0.3 Bar	0.5 Bar	1.0 Bar	1.5 Bar	2.0 Bar	3.0 Bar	4.0 Bar	5.0 Bar
EL/114/C	-	8.7	-	11.3	14.0	-	18.6	19.3	-	-

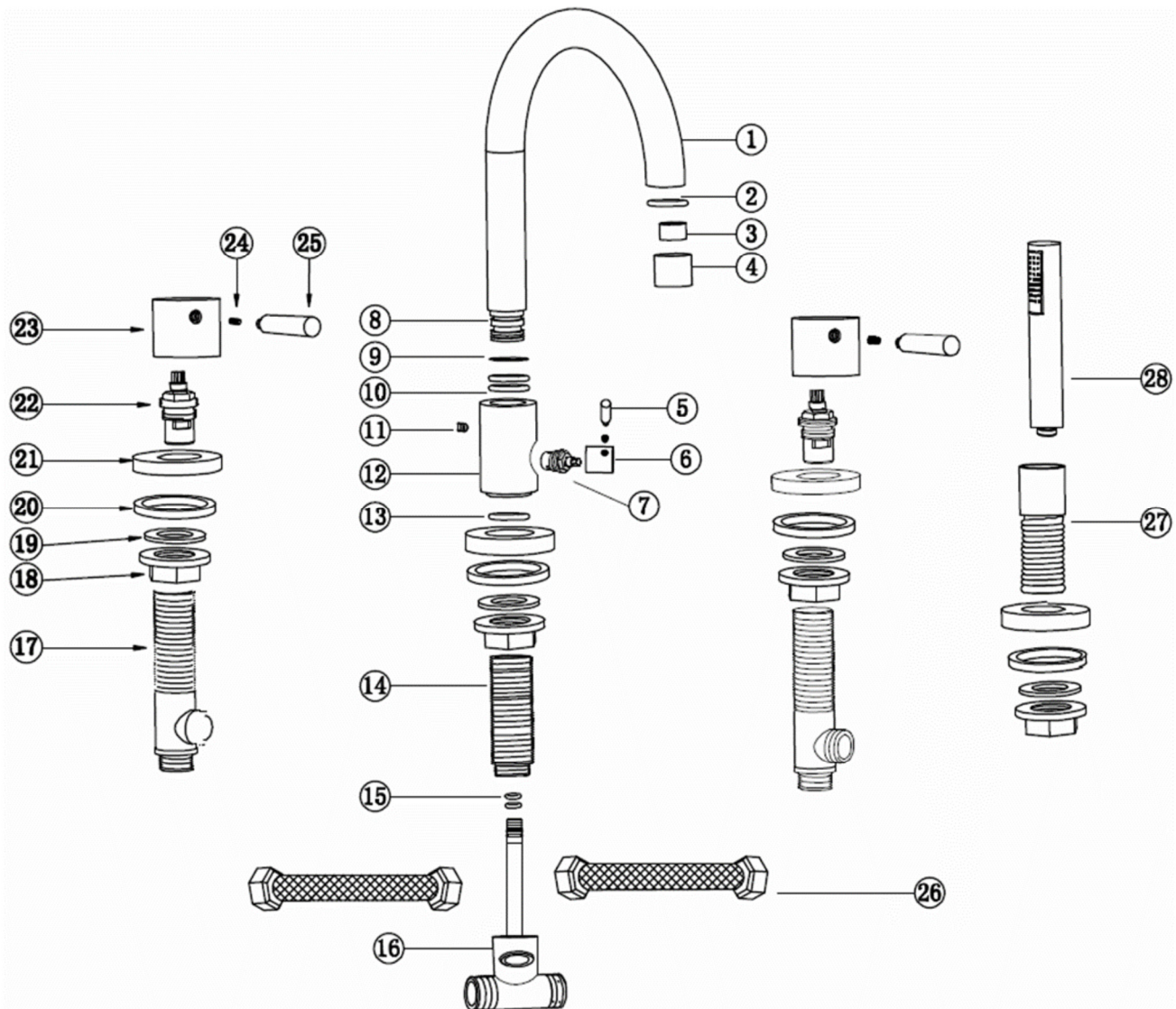
The information contained on this page was correct at the date of issue. Fitting dimensions are provided as a guide only. Some variation may occur due to manufacturing tolerances. We pursue a policy of continuing improvement in design and performance of our products and so reserve the right to change specifications without prior notice

FOR FURTHER ADVICE PLEASE CONTACT :-

SAGITTARIUS LTD UNIT 1 LOWER VICTORIA STREET—CHADDERTON—OLDHAM—OL9 9TU TEL:0616 6202029

EMAIL:TECHNICAL@SAGITTARIUSTAPS.CO.UK

EXPLODED PARTS DRAWING EL/114/C



14	THREAD BAR	1			
13	O-RING	1	27	HANDSET HOLDER	1
12	BODY	2	26	FLEXI	2
11	GRUB	2	25	HANDLE	2
10	O-RING	2	24	GRUB	2
9	WASHER	1	23	SHROUD	2
8	CONNECTOR	2	22	CARTRIDGE	2
7	DIVERTER	1	21	BASE PLATE	4
6	SHROUD	1	20	WASHER	4
5	DIVERTER HANDLE	1	19	WASHER	4
4	NOZZLE	1	18	NUT	4
3	AERATOR	1	17	FITTING BAR	2
2	WASHER	1	16	CONNECTOR	1
1	SPOUT	1	15	O-RING	2
No.	DESCRIPTION	QTY	No.	DESCRIPTION	QTY

The information contained on this page was correct at the date of issue. Fitting dimensions are provided as a guide only. Some variation may occur due to manufacturing tolerances. We pursue a policy of continuing improvement in design and performance of our products and so reserve the right to change specifications without prior notice

FOR FURTHER ADVICE PLEASE CONTACT :-
 SAGITTARIUS LTD UNIT 1 LOWER VICTORIA STREET—CHADDERTON—OLDHAM—OL9 9TU TEL:0616 6202029
 EMAIL:TECHNICAL@SAGITTARIUSTAPS.CO.UK