


Product Finish: Brushed Nickel

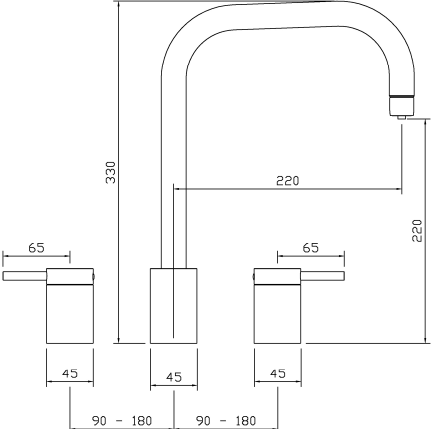
Product code: PT1010  
EAN13 barcode: 5060344153010



**Product features:**

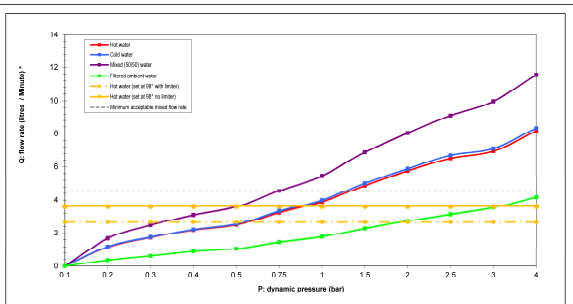
- Stylish 4 way mixer tap delivering domestic hot and cold, ambient and 80-98° filtered water.
- Supplied with 2 x patent pending proximity Hotkey™ activation for 80-98° water, without the Hotkey™ the product reverts to a family safe 3 way mixer.
- 360° rotating thermally insulated spout
- Ceramic disc ¼ turn smooth action control valves
- Hands free dispensing of 80-98° water possible for heavy pans
- Anti splash aerator as standard

**Product dimensions:**



- **Overall Height / projection:** 330 mm
- **Exit reach:** 220 mm
- **Exit height:** 220 mm
- **Centre distance(s):** 90 - 180
- **Base diameter(s):** 45 x 45 x 45 mm
- **Recommended hole diameter:** Ø35 mm
- **Max. surface depth:** 50 mm
- **Spout diameter:** 24 mm
- **Spout aerator size:** M22x1 Male

**Product flow characteristics:**



- **Min / Max water pressure:** 0.75 / 5.5 bar (mixertap only)
- **Recommended / Max incoming domestic hot water temperature:** 46°C / 70°C
- **Part G - Mixed flow rate at 3 bar (litres / min):** 9.97
- **Control valve type:** 1 x Ceramic disc QT hot, 1 x Diverter Cold/Filter
- **Product flow characteristics:** (C,H&F/Boiling) dual flow
- **Aerator type:** Neoperl aerator honeycomb dual flow
- **Hot and Cold inlet connections:** M10 x 1/2" M x 365mm flexi hose
- **Non return valve(s):** Yes, integral to hot and cold supplies

**Care instructions summary:**

- Clean the product regularly as required, using a mild soap and damp cloth, do not use any other cleaners, regular cleaning will prevent the build-up of lime scale and dirt
- Residues of sink & worktop cleaners can also cause damage to the mixer tap, so rinse with clean water after using, avoid contact with any abrasives

**Warranty Summary** (Full details available on request):

- Mixer tap Materials and workmanship defects warranted for 5 years
- Proboil3 Materials and workmanship defects warranted for 2 years
- Mixer tap Valves and working parts warranted for 5 years
- Surface finish warranty defects warranted for 1 year
- All o-rings, hoses & gaskets warranted for 1 year



### PROBOIL3 features:

- 80-98°C variable stored water temperature
  - 3.5 litres maximum continuous draw off
  - 50 cups per hour recovery rate
  - Electronically controlled hot water system to ensure the first cup to the last are equally hot.
  - Pumped delivery to ensure smooth flow with no spitting
  - High quality stainless steel tank construction
  - UK manufactured
  - Choice of energy saving Eco modes
  - Choice of 9 languages
  - On screen service notifications with QR code links to user 'how to' maintenance videos
  - Filter status indicator bar
  - Child lock function
  - Intelligent descale notification, user drainable & descalable
- Dimensions: 175mm (w) x 400mm (d) x 410mm (h)
  - Weight (when full): 12.5Kg
  - Power rating: 2.8kW, 220-240V 50Hz, 13A
  - Pressure rating (min – max): 2-8 bar
  - Boiler approvals: BS EN 60335-2-75:2004 +A2:2008, LVD (2014/35/EU), EMC (2014/30/EU), CE (93/68/EEC), RoHS(2011/65/EU)

\*All temperatures quoted are measured within the tank of the boiler and actual spout exit temperature may vary dependant on local conditions.

For further information refer to [proboil.co.uk](http://proboil.co.uk) and our user guides.



Our premium quality **PROBOIL** filter offers the following benefits:

- Filtered ambient and 80-98°C drinking water, engineered specifically for hot and ambient water applications
  - Included with every **PROBOIL** system
  - 6 month life (based on 19 degrees Clark (London average hardness) and 5 litres per day usage)
- Superfine 5 micron carbon block filtration
  - Chlorine taste and odour reduction.
  - pH balanced delivery
  - Adjustable hardness settings allows optimised filter life and boiler scale protection
  - Inbuilt corrosion protection
  - Mineral adaption and scale reduction for protection
  - Simple quarter turn bayonet installation
  - Automated on screen life reminder



### The complete package:

Each **PRONTEAU** system includes:

- A stylish choice of intelligent 4 way **PRONTEAU** mixer taps
  - 2 x 4 way mixer tap Hotkeys
  - **PROBOIL3** boiler
  - **PROBOIL** premium scale filter and head
  - Connecting hoses, safety devices and plumbing sundries
  - Comprehensive installer and user guides
  - User draining kit
- Nationwide professional installation service available on request
  - Nationwide professional maintenance and service support
  - Extended warranties and service plans available on request

WATER THE WAY YOU WANT IT