

Dual Concealed Thermostatic Shower Valve

Barcode	5055146191186
Product Code	JTY025
Finishes	Chrome
Product Type	Thermostatic Shower Valve
Water Pressure	LP1 - 0.1 bar pressure minimum
Standards	EN200 and/or WRc/NSF



Flowrates

Bar	Flow l/min
0.1	5.5
0.5	14.5
1	22
2	30
3	35

Requirement Suitable for all plumbing systems

Guarantee & Aftercare

During installation extra care must be taken to avoid damaging the fittings. We provide a 5 year guarantee against faulty workmanship or materials (excluding serviceable parts), providing they have been installed, cared for and used in accordance with our instructions.

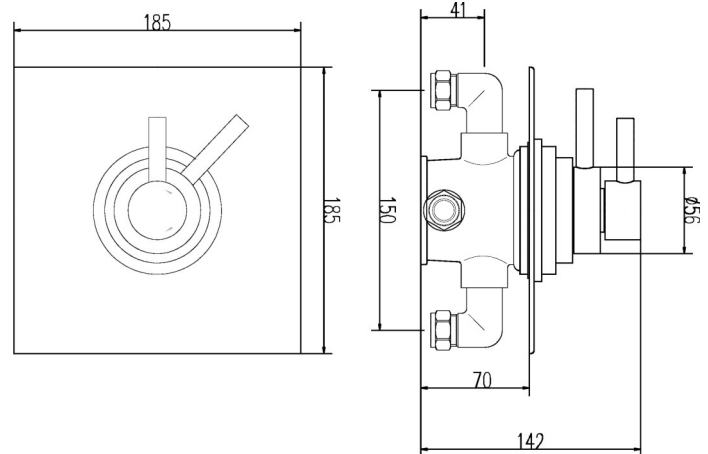
ADDITIONAL INFORMATION

- TMV2 Approved—BC588/1210

COMPLIANCE: BS EN1111 & BS EN1287

CUSTOMER CARE:

For further information please call 01282 446789



KEY TO PRODUCT PRESSURE REQUIREMENTS

LP - 0.1 bar min

LP2 - 0.2 bar min

MP - 0.5 bar min

HP1 - 1 bar min

HP2 - 2 bar min