



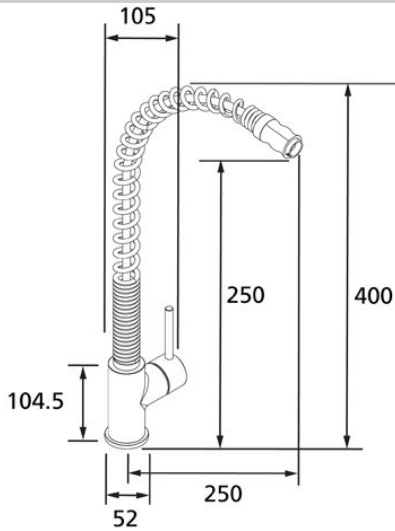
## Chef Monobloc Sink Mixer with Pull Out Spray

Monobloc Sink Mixer



Size	Pattern No.	Pack 1 Qty	Pack 2 Qty	Code	Barcode	Price (£) ex VAT
na	Monobloc Sink Mixer	1	4	4R1119	5022050123008	£188.83

Monobloc Sink Mixer



Code	Description	Dimensions
4R1119	Monobloc Sink Mixer	See diagram

*Pegler Yorkshire reserve the right to change specifications*

### 5 Year Guarantee

#### Luxury Taps and Mixers

#### Pegler Yorkshire Customcare 5 Year Guarantee - Terms and Conditions

Product are subject to a 5 year guarantee that is between Pegler Yorkshire and the final purchaser of the product.

The guarantee is subject to proof of purchase being supplied.

This guarantee does not affect any statutory rights the consumer may have in law.

The guarantee covers manufacturing or material defects and does not cover parts subject to normal wear and tear.

Finishes other than chrome are covered for a period of 3 years only and the guarantee on the finish is subject to the cleaning instructions being followed.

The guarantee is not applicable where the product is fitted contrary to the conditions in the fitting instructions.

Abusive behaviour and accidental damage to the product are not covered by this guarantee.

The extent of this liability is limited to the cost of the replacement of the defective item and not to fitting or consequential damages.

#### Care

To maintain the surface finish, simply wipe occasionally with a mild detergent on a soft damp cloth. Dry, using a soft cloth. Never use abrasive cleaners or chemical household cleaners and avoid contact with concentrated bleach.

#### Maintenance

No regular maintenance is required for this product.

In case of complete replacement Pegler recommend service valves should be fitted to the supply inlets.

For any further help or replacement parts please contact the Service Support Team on 0800 1560050.

Pegler Yorkshire Group Ltd, St Catherine's Ave, Doncaster, S Yorkshire, DN4 8DF

Telephone: Phone +44 (0) 844 243 4400 Fax: +44 (0) 844 243 9870 Website: [www.pegleryorkshire.co.uk](http://www.pegleryorkshire.co.uk)

Registered office : Pegler Yorkshire Group Ltd, St Catherine's Ave, Doncaster, S Yorkshire, DN4 8DF Company no : 00401507

*You're guide to the installation, care  
and maintenance*

# **Francis Pegler CYBER & CHEF**

---



*CYBER  
4R1117 (CP)*



*CHEF  
4R1119*

## Water Regulations Requirements

It is important to ensure that the water supplies to your taps and mixers are connected in accordance with the water regulations (WRAS) requirements and good plumbing practice.

It is Pegler Yorkshire's recommendation and good plumbing practice that the supplies of hot and cold water to the products should be at equal (balanced) pressures in order to provide a consistent flow. Supplies should be from a common source, either mains or tank fed. If supplies are not equal pressures then non return valves should be fitted (not supplied).

This product has been designed to function on all types of water systems.

Please note: If a pump is to be installed to boost gravity supplies please refer to the pump manufacturer's instructions.

The hot and cold inlets for any of the products are hot on the left and cold on the right when viewed from the front of the fitting. It is our recommendation and good plumbing practice that a service valve also (Tectite TX490L) should be installed upstream in the inlet supply lines.

## Pipe Connections

**IMPORTANT:** Before making any inlet pipe connections, all supplies **MUST** be thoroughly flushed to remove any debris. Failure to do so could result in damage or low flow from the mixing valve. It is a requirement of Byelaw 55 of the Water Fittings Byelaw Scheme that this function is undertaken before making any pipe connections to supplies.

## General Installation Notes

- Care must be taken during installation to prevent any risk of damage to the product or injury to installer
- Installation must be carried out by a qualified and competent person and in accordance with the instructions supplied

- Installations must comply with all Local and National Water Authority Regulations, and Building/Plumbing Regulations
- Please ensure that you have read and understood all sections of this manual before installation

## Water Supply Pressures

Leger fittings have been designed to function under the following conditions:

- Minimum supply pressure 0.5 bar
- Maximum supply pressure 6.0 bar

Generous flow rates are achieved at pressures as low as 0.5 bar. At high pressures it may be necessary to reduce excessive flow rates by fitting stop or servicing valve in the supply line before the mixer or tap. These stop valves facilitate ease of maintenance should it be necessary.

## Installation

### Mono Sink Mixer

- 1) Screw flexible inlet tails into body and tighten up ensuring O Ring seal is firmly in place and leak proof. Screw in the clamping stud into the body and position rubber where applicable. Position tap ensuring handle movement is not obstructed, during operation.

**Please Note:** Ensure free movement of spout is adequate before clamping in position.

- 2) Thoroughly flush pipework and connect tap to the supplies ensuring hot is on the left and cold on the right when viewing the mixer from the front.

Please note: On Chef model please ensure weight is attached approximately half way on the hose under the ware to help retraction of outlet after use.

## Care & Maintenance

Francis Pegler products are manufactured to the highest of standards and should require little or no maintenance.

To maintain the surface finishes, simply wipe occasionally with a mild detergent on a soft damp cloth. Dry using a soft cloth, never use abrasive cleansers or chemical household cleaners, and avoid contact with concentrated bleach.

In the unlikely event of any spare part requirements, please contact your nearest Francis Pegler stockist or the Pegler Yorkshire Sales Office on Free Phone: 0800 156 0010.

### Technical Help

Should you need any help or advice installing or maintaining your Pegler Yorkshire product, please contact our technical office on Free Phone: 0800 156 0050 or Email: [tech.help@pegleyorkshire.co.uk](mailto:tech.help@pegleyorkshire.co.uk) or visit our website: [www.pegleyorkshire.co.uk](http://www.pegleyorkshire.co.uk)

### Customer Reference Data

Date of Purchase: .....

Supplier: .....

Supplier Tel. No: .....

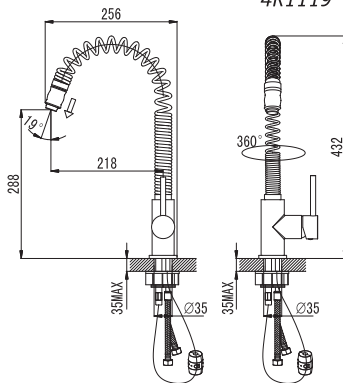
Model: .....

Serial No: .....

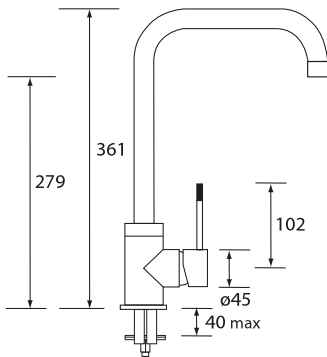
Installer: .....

Installer Tel. No: .....

## CHEF 4R1119



## CYBER 4R1117 (CP)





**Pegler Yorkshire**  
*connect & control*

[www.pegleryorkshire.co.uk](http://www.pegleryorkshire.co.uk)

*Our brands:*

***Terrier XPress***

***Tectite Kuterlite***

***Endex Henco***

***Prestex Ballorex***

***Meibes Pegler***

***Yorkshire Performa***

***Francis Pegler***

**Pegler Yorkshire Group Limited**

St. Catherine's Avenue, Doncaster, South Yorkshire, DN4 8DF, England.  
Tel: 0844 243 4400 Fax: 0844 243 9870

Registered in England Company No. 00401507 Registered Office: Haigh Park Road,  
Stourton, Leeds, West Yorkshire, LS10 1RT, England.

All brand names and logo styles are registered trademarks. Maintaining a policy of continual product development, Pegler Yorkshire reserves the right to change specifications, design and materials of products listed in this publication without prior notice.

