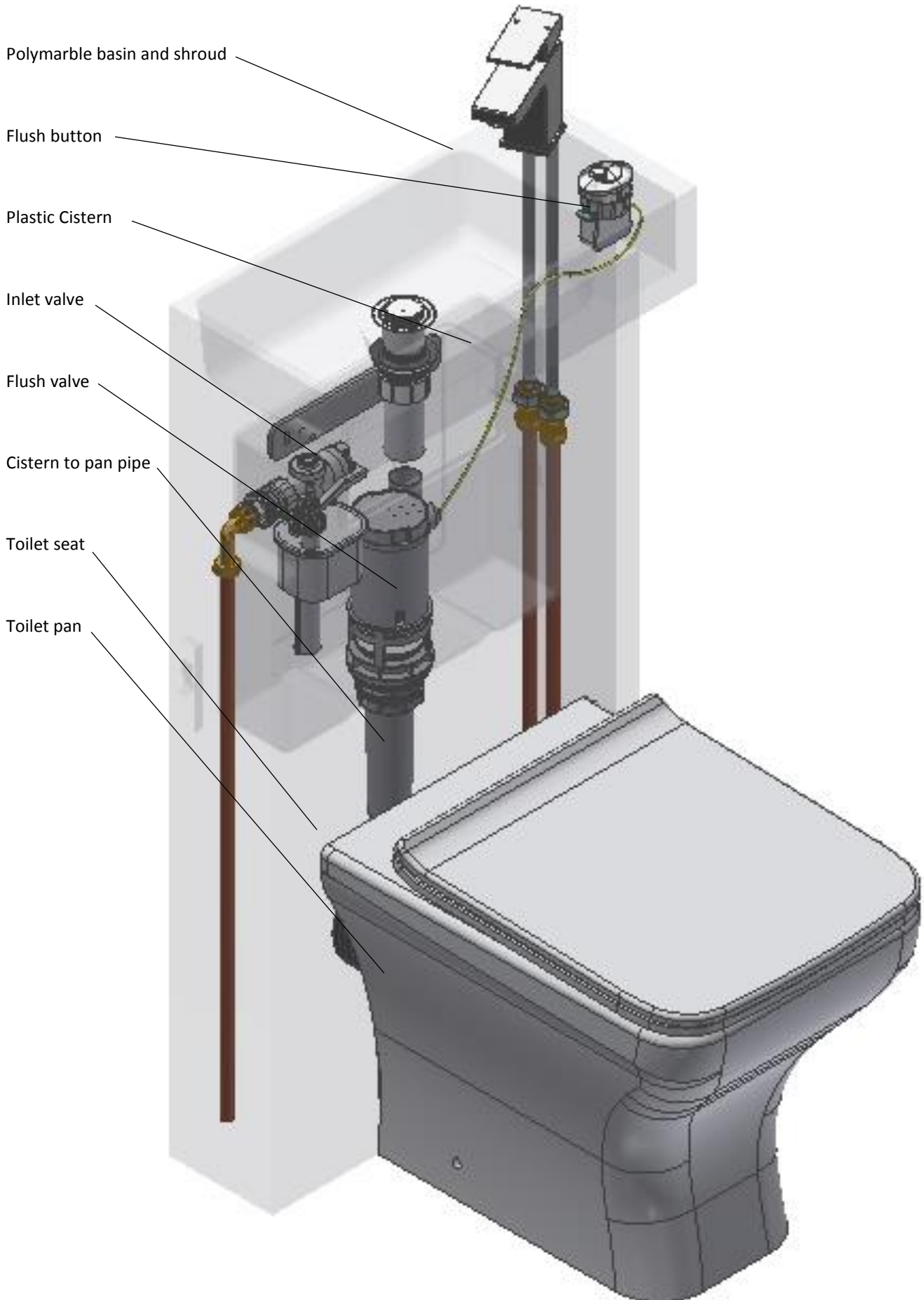


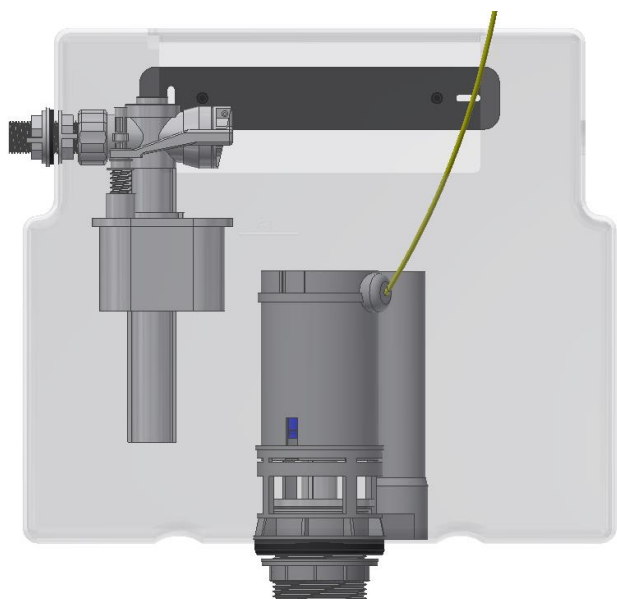
**Included in this kit**



Please note that this basin does not have an overflow. Therefore, it needs to be fitted with an unslotted open waste. Items illustrated may not be a true representation of the real product. Only the products mentioned above are part of the kit. The tap, basin waste, compression fitting etc are not included.

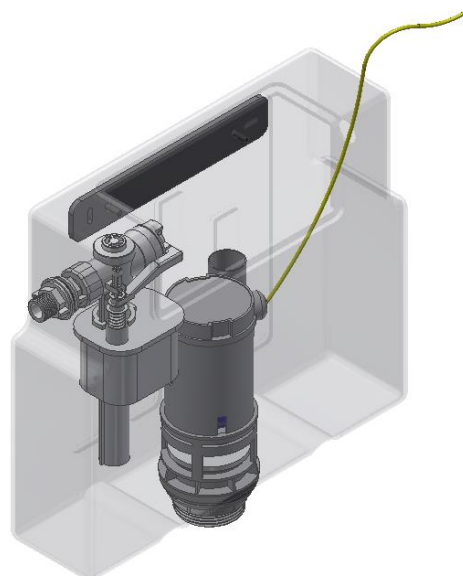
TO ENSURE THE CORRECT INSTALLATION IS EXECUTED IT IS RECOMMENDED USING A QUALIFIED COMPETENT INSTALLER TO INSTALL THE PRODUCT.

1



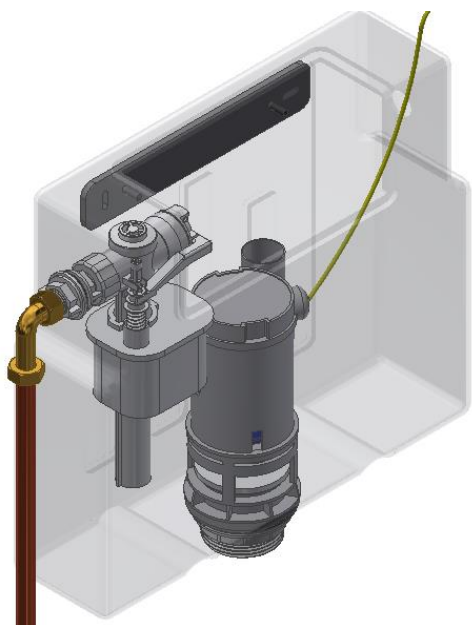
Assemble the fill valve and the flush valve in the cistern.

2



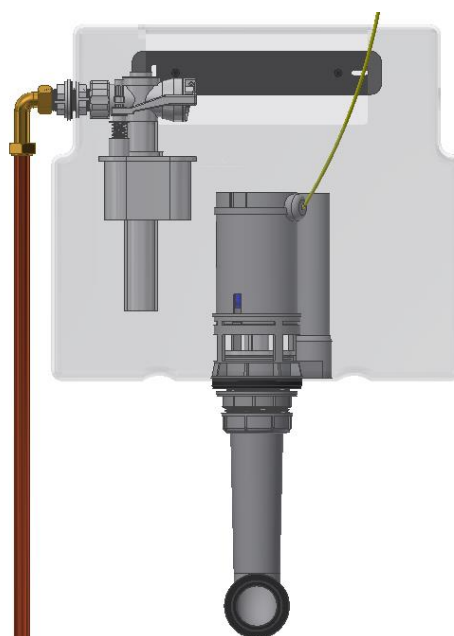
Fix the backing plate at a suitable height onto the wall, then securely attach the cistern to the backing plate.

3



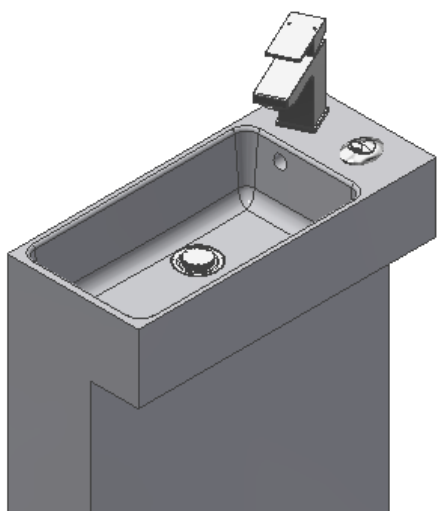
Connect the inlet valve to a cold-water supply.

4



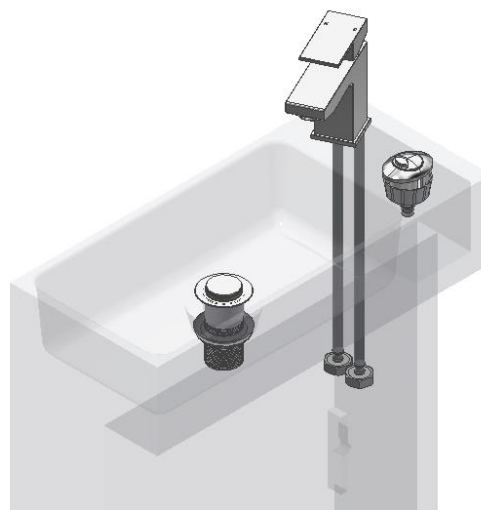
Fit the flush pipe to the flush valve.

5

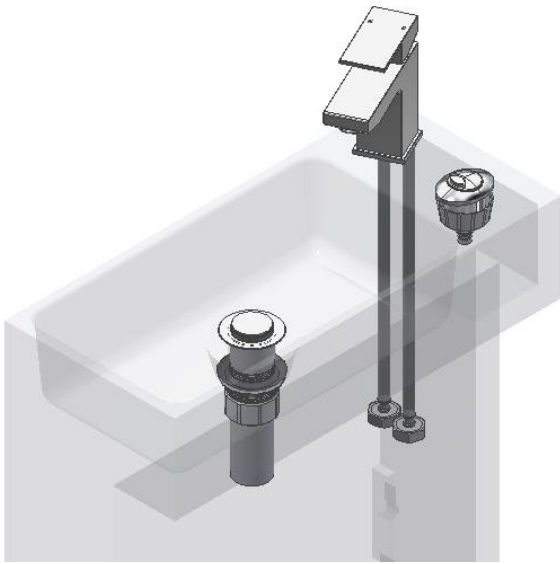


Fit the tap, waste and flush button in the all in one Polymarble basin and shroud.

6

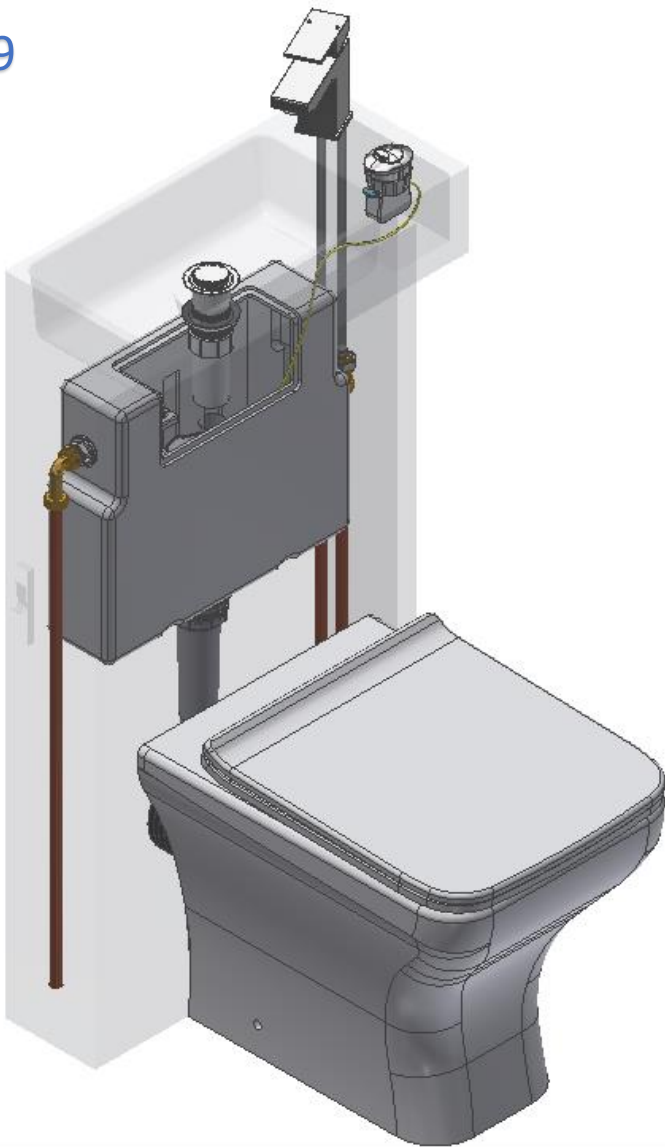


7



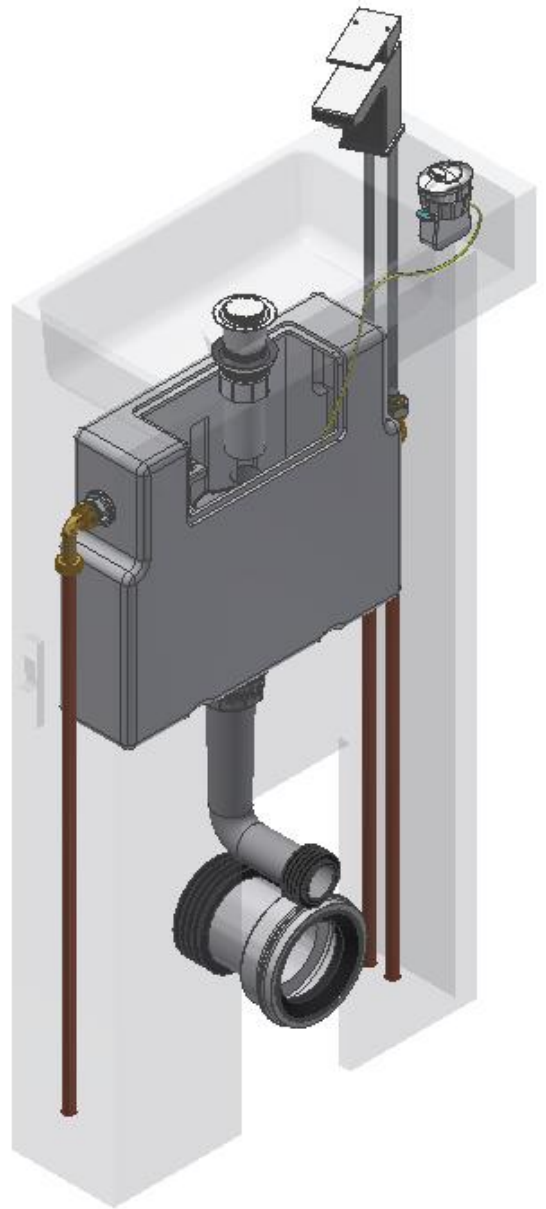
Fit a flexible pipe or a straight tube of an adjustable trap on to the waste to ensure that the water goes directly into the cistern when the all in one Polymarble basin and shroud is fixed to the wall.

9



Connect the pan to a waste using appropriate pan connections. Then connect the cistern pipe into the water inlet of the pan. Place the pan centrally back to the shroud. Test for leaks and then commission.

8



Stand the shroud slightly away from the cistern. Connect the hot and cold feed up to the tap tails and the flush button to the flush button cable being careful not to kink the cable. Lift the shroud on to the fixing screws on the wall until home using the key hole feature in the back of the unit. Ensure that the unit sits on the ground and that the basin waste goes into the cistern.

Water conservation occurs when the toilet has been flushed and the tap is turned on for hand washing. The waste water from the basin will flow into the waste and into the cistern, filling it up for the next flush.

The fill valve will always operate fill up the cistern regardless if the tap is turned on or not.

If the tap is turned on when the cistern is already full, the water will go down the overflow chute of the flush valve and into the pan.

Take appropriate health and safety precautions when installing the product. Hazard – when using sealant, follow the manufacturer's instructions.

Warning – this product is heavy!

Packaging is widely recycled

Recommended as a two person install.

If further assistance is required, please contact your retailer or alternatively call our customer services team on 01924 666590

To ensure the correct installation is executed, it is recommended that the unit is fitted by a qualified and competent installer