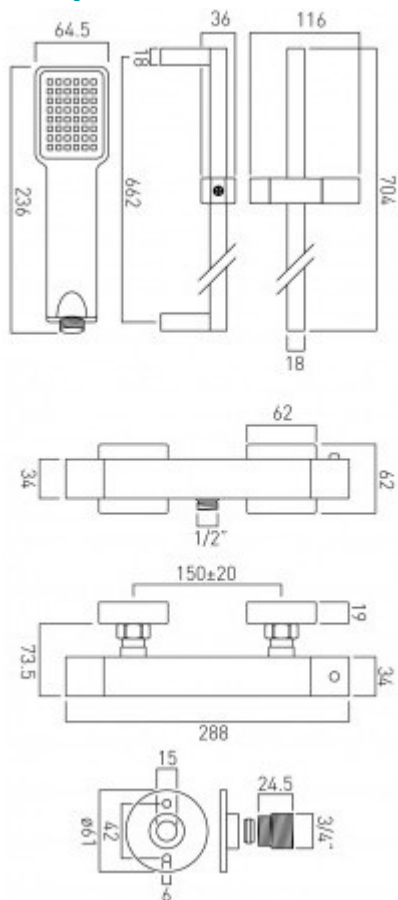


technical drawing




description:

té wall mounted exposed thermostatic shower valve 1/2" with V2 single function low pressure slide rail shower kit and wall mounting brackets  
thermostatic cartridge TE-001C-WAX  
flow cartridge TE-002B-1/2

kit comprises:  
WG-V2KIT-C/P  
TE-149T-C/P  
WG-049BRACK&SHR-C/P

finishes:  
chrome

minimum operating pressure: 0.2 bar LP

 flow regulator: FR-SHOWER/9-C/P

guarantee:  
12 year guarantee

VADO wedmore road cheddar somerset england bs27 3eb

tel 01934 744466 fax 01934 744345 sales@vado-uk.com www.vado-uk.com