

TECHNICAL DATASHEET



D-Type Single Lever Bath Filler

Barcode	5055146177524
Product Code	DTY303
Finishes	Chrome
Product Type	Bath Filler
Water Pressure	MP - 0.5 bar pressure minimum
Standards	Complies with BS5412, EN200



Flowrates

Bar	Flow l/min
0.1	4
0.5	9
1	12
2	15
3	19

Requirement Suitable for all plumbing systems which deliver 0.5 bar pressure.

Guarantee & Aftercare

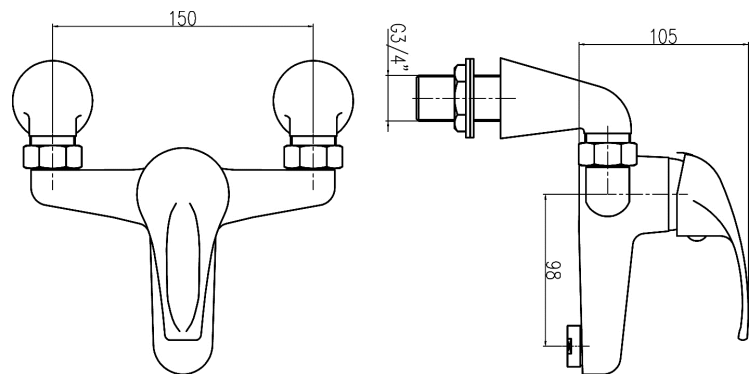
During installation extra care must be taken to avoid damaging the fittings. We provide a 5 year guarantee against faulty workmanship or materials (excluding serviceable parts), providing they have been installed, cared for and used in accordance with our instructions.

ADDITIONAL INFORMATION

- **CERAMIC DISC TECHNOLOGY**
- **Suitable for use with flow regulators**

COMPLIANCE: Pending

CUSTOMER CARE:



KEY TO PRODUCT PRESSURE REQUIREMENTS

LP - 0.1 bar min LP2 - 0.2 bar min MP - 0.5 bar min HP1 - 1 bar min HP2 - 2 bar min