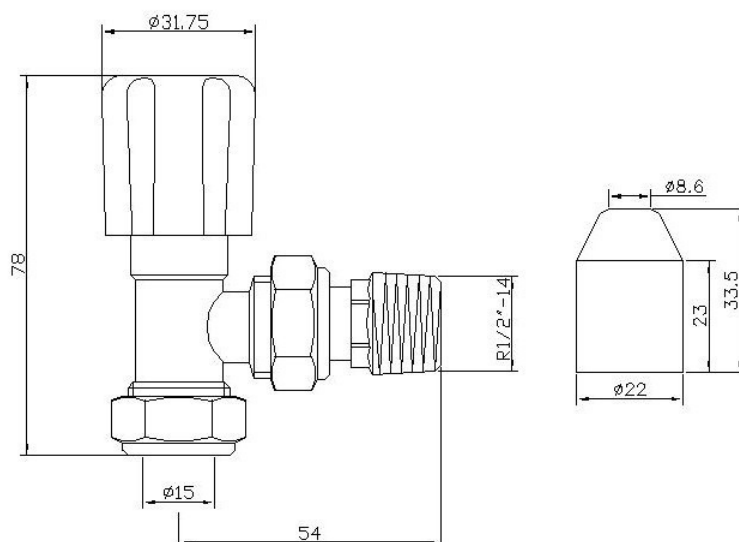


RADIATOR VALVES ANGLED

Barcode	5055369019939
Product Code	RV003
Finishes	CHROME
Product Type	RADIATOR VALVES

Guarantee & Aftercare

During installation extra care must be taken to avoid damaging the fittings. We provide a 10 year guarantee against faulty workmanship or materials (excluding serviceable parts), providing they have been installed, cared for and used in accordance with our instructions.



CUSTOMER CARE:

For further information please call 01282 446789