

## Kristal Twin Concealed Thermostatic Shower Valve

<b>Barcode</b>	5055146151746
<b>Product Code</b>	KRI3210
<b>Finishes</b>	Chrome
<b>Product Type</b>	Thermostatic Shower Valve
<b>Water Pressure</b>	LP1 - 0.1 bar pressure minimum
<b>Standards</b>	BC254/0207, EN200 and/or WRc/NSF
<b>Requirement</b>	Suitable for all plumbing systems
<b>Guarantee &amp; Aftercare</b>	

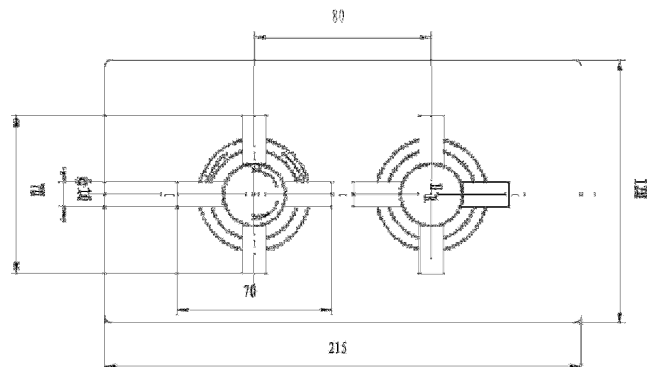
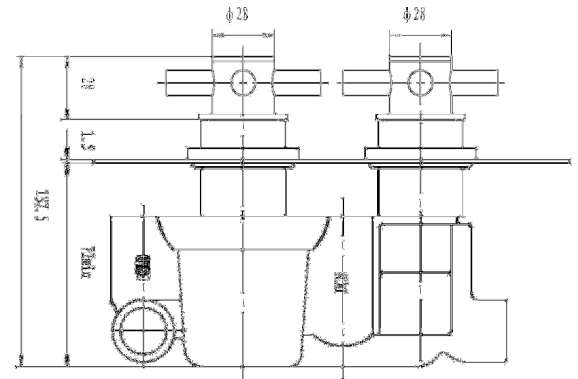


During installation extra care must be taken to avoid damaging the fittings. We provide a 20 year guarantee against faulty workmanship or materials (excluding serviceable parts), providing they have been installed, cared for and used in accordance with our instructions.

### ADDITIONAL INFORMATION

- Can be fitted vertically or horizontally
- TMV2 Approved

Bar	Flow l/min
0.1	5.5
0.5	14
1	20
2	29
3	44



**COMPLIANCE:** Pending

**CUSTOMER CARE:**

For further information please call 01282 446789

### KEY TO PRODUCT PRESSURE REQUIREMENTS

LP - 0.1 bar min      LP2 - 0.2 bar min      MP - 0.5 bar min      HP1 - 1 bar min      HP2 - 2 bar min