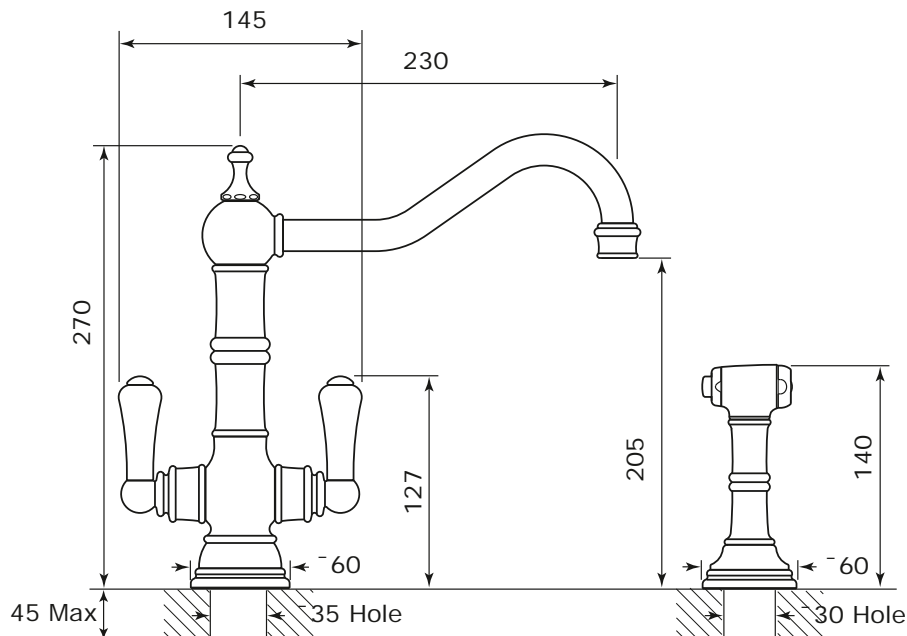


Specification 4766



Picardie Monobloc Mixer with Lever Handles and Rinse

- 1/4 turn ceramic disc flow control.
- vernier insert for accurate handle alignment.
- unique handle construction with integral bearing ring.
- flexible connectors for easier installation.
- Pull out rinse with insulated handle.



Temp Range:

min 1°C/34°F
max 85°C/185°F

Recommended working pressure:

min 1 bar/15 psi
max 5 bar/75 psi

Specification 4766



Picardie Monobloc Mixer with Lever Handles and Rinse

- 1/4 turn ceramic disc flow control.
- vernier insert for accurate handle alignment.
- unique handle construction with integral bearing ring.
- flexible connectors for easier installation.
- Pull out rinse with insulated handle.

Where * Indicated Specify Colour.

