

A hand is holding a clear glass cup filled with water. Water is being poured from a kettle into the cup, creating bubbles and ripples. The background is a soft, warm-toned gradient.

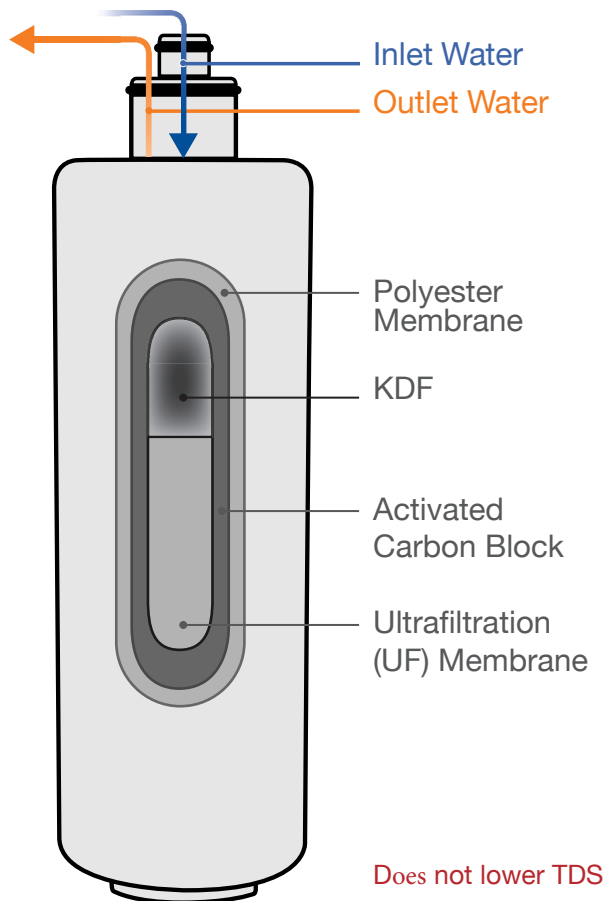
clearwater **Ultrapure**

Filter **F6C1-UF**

^
kettle
pure
v

clearwater[®] Ultrapure

F6C1 - UF Filter



Information

The Clearwater F6C1-UF uses an ultrafiltration membrane with pore sizes of 0.01–0.04 μm .

To put this in perspective, the average human hair is 70 μm and the naked eye can only resolve objects down to 50 μm . This superfine barrier efficiently reduces particulate matter, lead, cysts, iron, arsenic V, microplastics – typically between 0.1–5 μm , pathogens (viruses and bacteria- typically between 0.2 to 2.0 μm).

Carbon Block Pre-Filter

A carbon block stage captures larger particles and conditions the water by absorbing chlorine, bad tastes and odors. Think of it like a sponge: water passes through while chlorine and other off-flavour compounds stick to the carbon, leaving you with clear, great-tasting water free of chemical smells.

This also results in a reduction of and PFAS (“forever chemicals”).

Scale Inhibitor – KDF 55 Media

KDF 55 media disrupts the ability of calcium and other hard-water minerals to crystallize and adhere to surfaces, preventing limescale buildup in appliances. Unlike resin softeners or reverse osmosis, it retains all beneficial minerals, so your water keeps its nutritional value. It performs best in supplies up to 180 ppm CaCO_3 ; above that, a traditional resin softener may be recommended for heavy-use hot-water equipment.

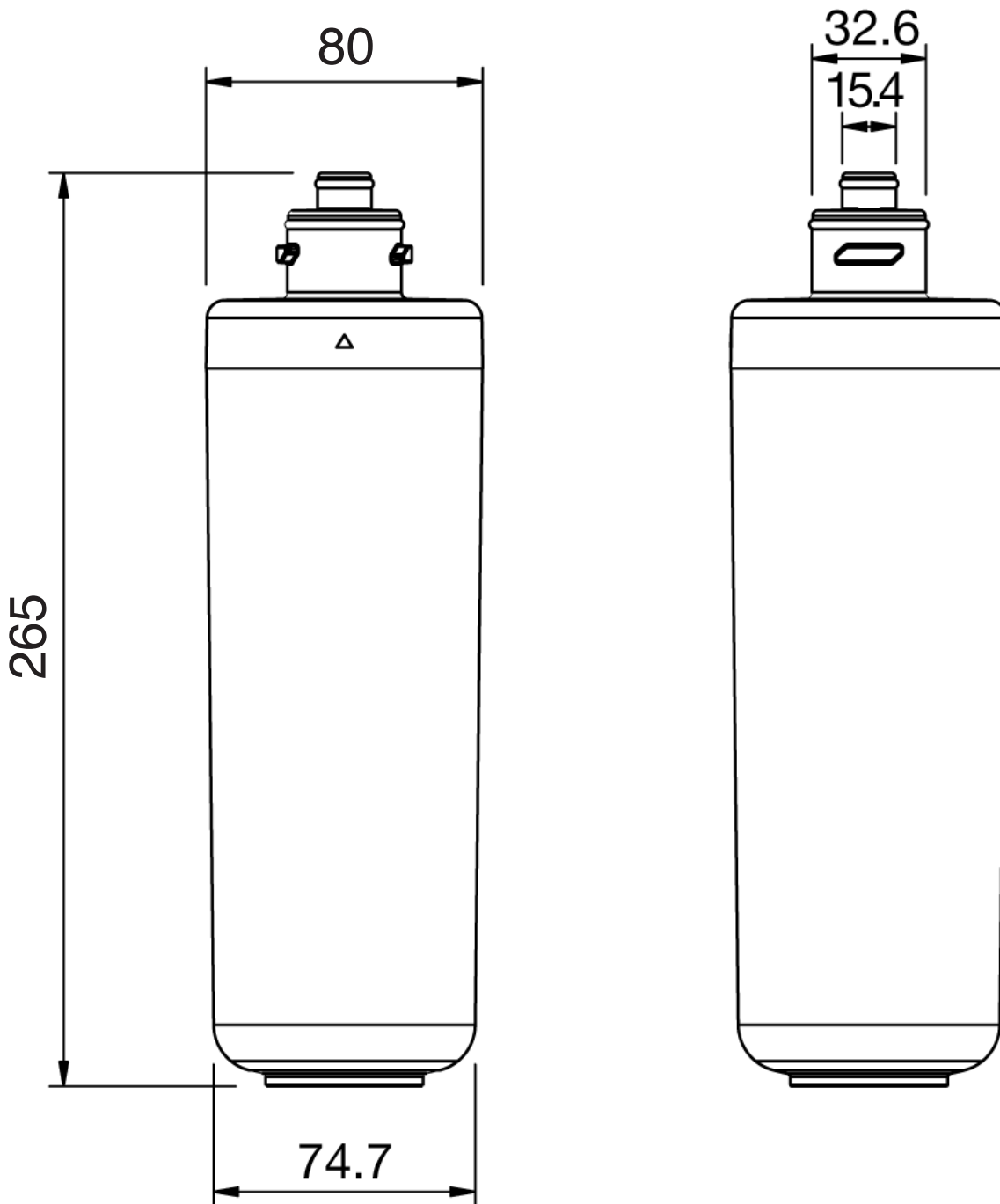
When should I replace my filter?

Kettle Tap: Filter must be replaced every 6 months to uphold the 2-year kettle tank warranty.

Cold filtered (only): Filter replacement when only used for cold filtered is advised every 6 months, however failure to do so will not void any tap warranty.

clearwater **Ultrapure**

F6C1 - UF Technical Drawing



Polypropylene

3/8" push fit ports ensure a reliable and leak free system connection.

Single and double head configurations allow users to create tailored systems to target individual requirements.

Moulded F series head includes bracket points for quick and easy installation

clearwater **Ultrapure**

F6C1 - UF Technical Data Sheet

Materials of Construction

Cartridge Case: Polypropylene

Carbon Block Media: Coconut Activated Carbon

O-Rings: Silicone

Construction Notes

- 1 Cartridges release with a quarter turn, which automatically shuts off the water supply during changeout.

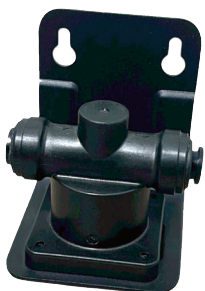
Technical Data

Filtration Level	Ultra Filtration
Micron Rating	0.04µm
Type	Carbon Block +
Scale Inhibitors (*Effective up to 180ppm CaCO ₃)	KDF Media
Life Span	6 Months
Capacity	4000 Litres
Flow Rate	2 lpm
Max Bar Pressure	5 bar
Max Operating Temp	38°C

Efficient in the reduction of:

Chlorine	Iron
Bad Taste & Odour	Arsenic V
Limescale Build Up**	Microplastics
Particulate Matter	PFAS
Lead	Pathogens (Viruses) and Bacteria
Cysts	

Available Head Options



Auto Shut Off



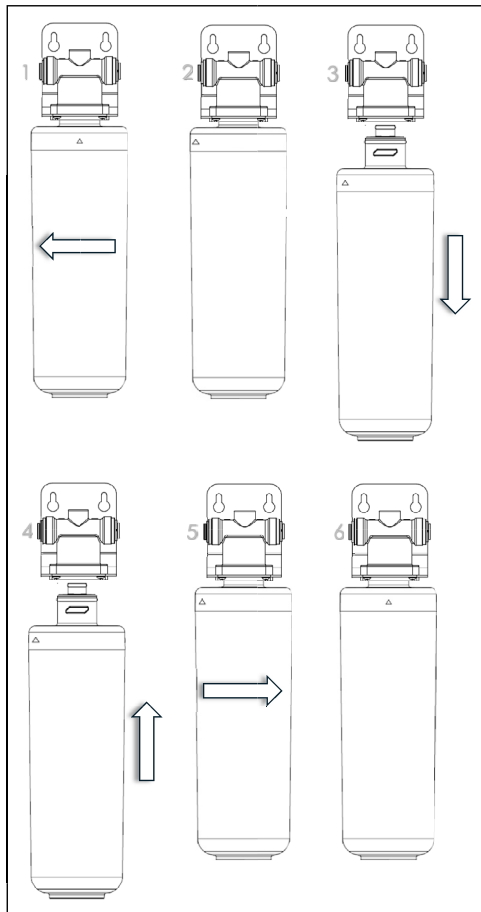
Manual Isolation Arm



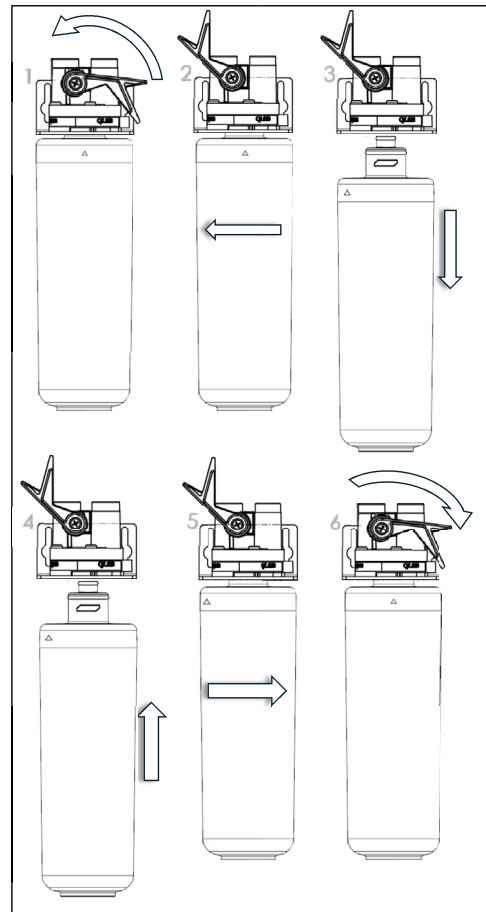
clearwater **Ultrapure**

Filter Replacement

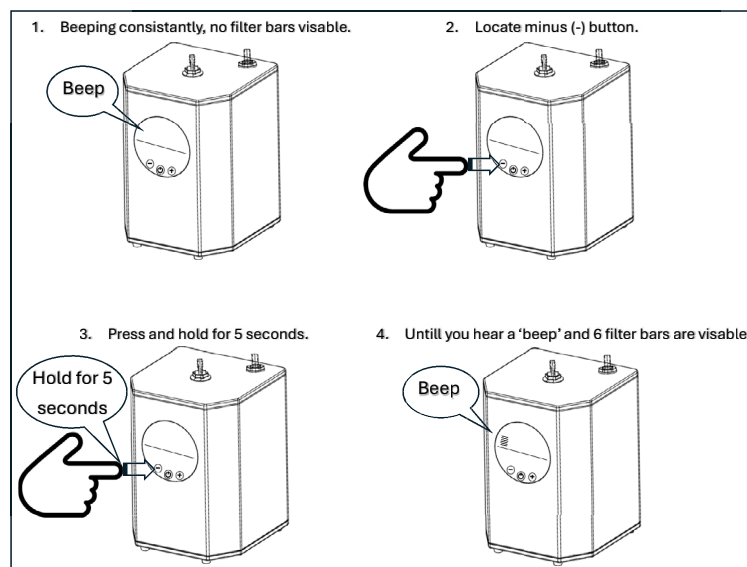
Auto Shut Off



Manual Isolation Arm



Kettle Tank Filter Reminder Reset



clearwater **Ultrapure**

Clearwater UltraPure is designed around a simple idea: Water should be as clean as nature intended. Beautifully pure water straight from your tap.



Ultra Filtration

3,000 x more powerful than a standard jug filter. Filters down to 0,01 microns.



Next Generation Filtration

Removes forever chemicals, nano & micro plastics, bacteria, viruses and more, whilst retaining healthy minerals.



Effective in the reduction of

Viruses / Bacteria / Cysts / Pesticides Chlorine / PFAS (Forever Chemicals) Heavy metal complexes / Scale formation Micro Plastics / Nano Plastics Pharmaceutical residues / Arsenic.



Cleaner, Fresher Water

Enjoy great-tasting water free from harmful chemicals, tiny plastics, germs, and chlorine.



Feels Better for Your Body

Safer water that keeps in healthy minerals and reduces long-term exposure to contaminants.



Better Hydration

Improved taste and purity that make it easier to drink more water daily.



Supports Your Health

Helps protect your wellbeing, supports your immune system, and is gentler on skin and hair.



Easy & Sustainable

No electricity. No wasted water. Less plastic waste from bottled water.

clearwater

Pure, worry free water for your whole home.

