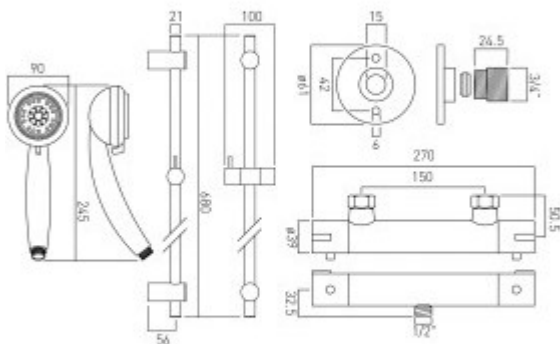




**technical drawing**



**description:**

prima wall mounted exposed thermostatic shower valve 1/2" with multi-function 600mm slide rail shower kit and wall mounting brackets  
thermostatic cartridge V-001A-PLA  
flow cartridge DGS-002B-1/2

kit comprises:  
WG-JUPITERKIT-C/P  
DGS-149-1/2-C/P  
WG-049BRACK&SHR-C/P

**finishes:**  
chrome

**minimum operating pressure:** 0.2 bar LP

**ECO** **flow regulator:** FR-SHOWER/9-C/P

**guarantee:**  
12 year guarantee

VADO wedmore road cheddar somerset england bs27 3eb

tel 01934 744466 fax 01934 744345 sales@vado-uk.com www.vado-uk.com