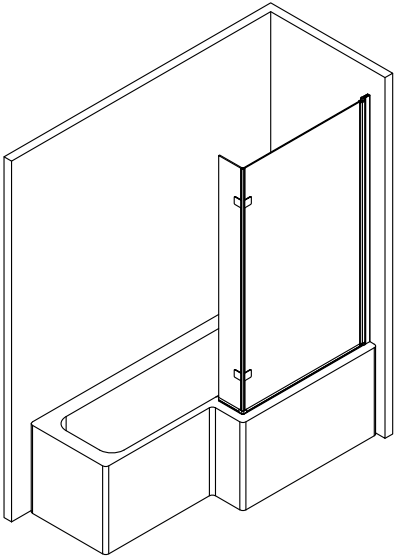
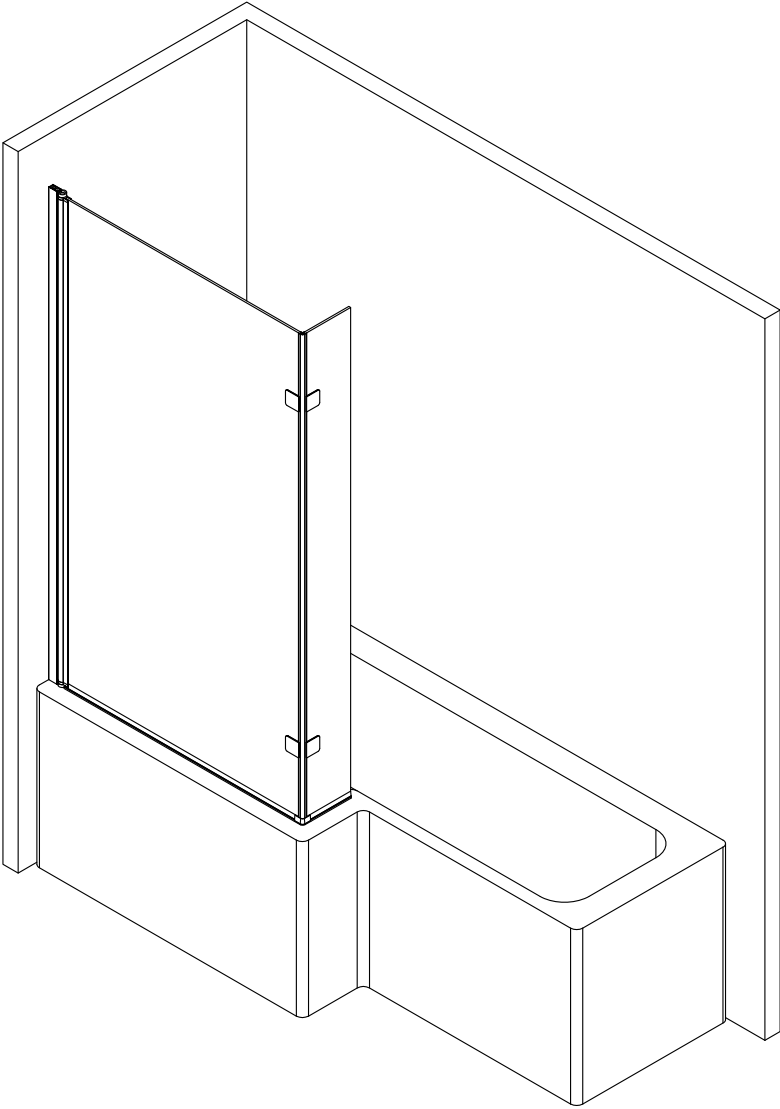
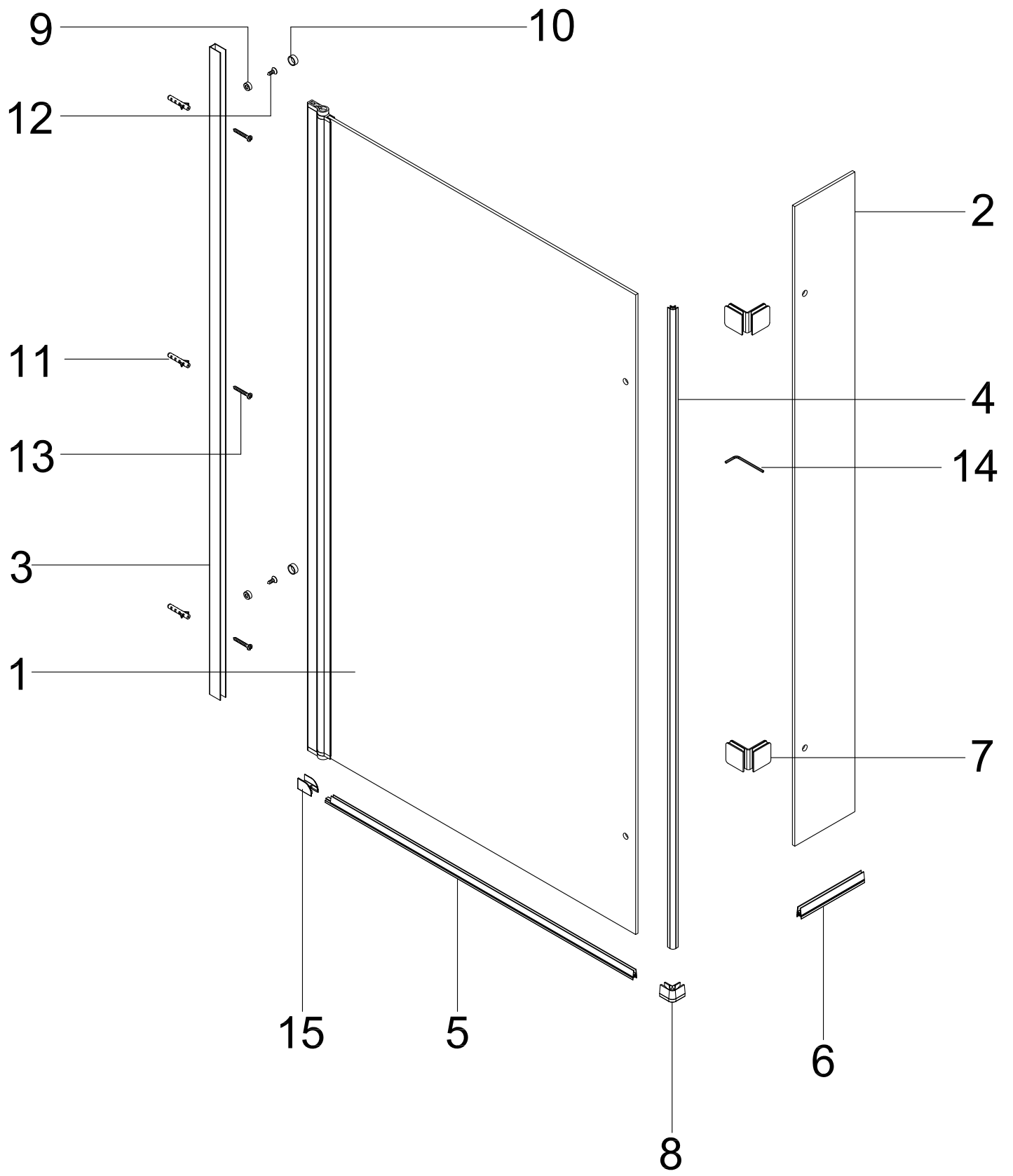
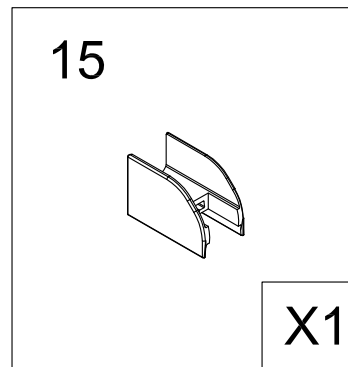
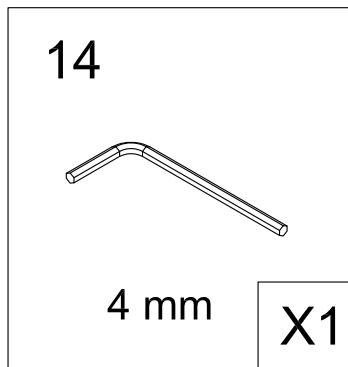
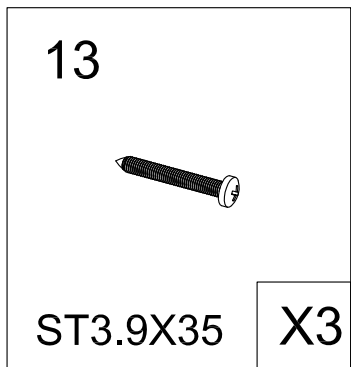
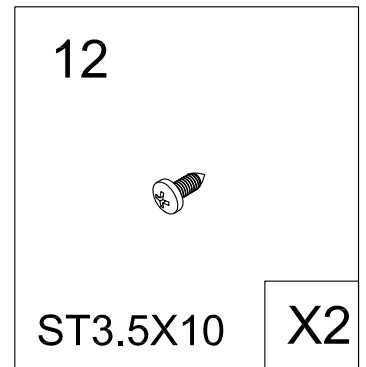
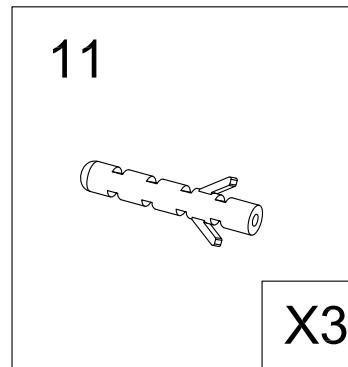
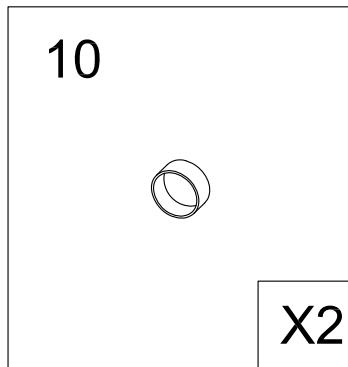
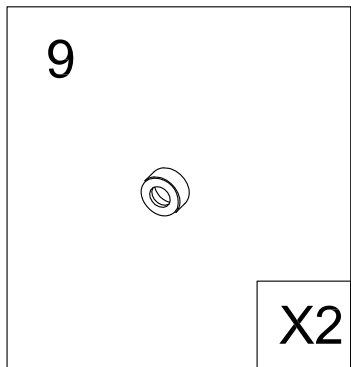
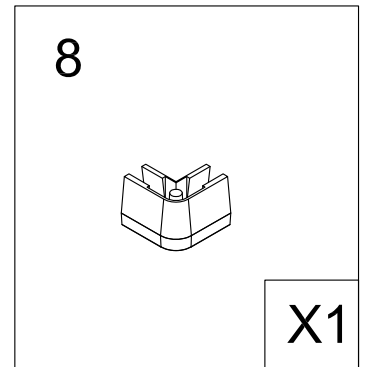
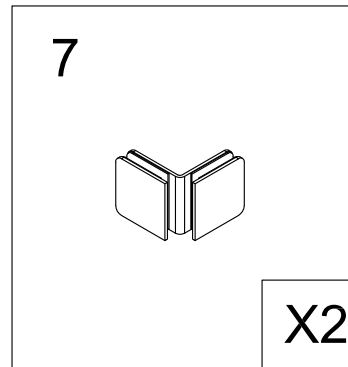
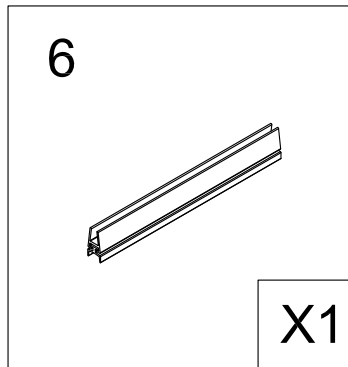
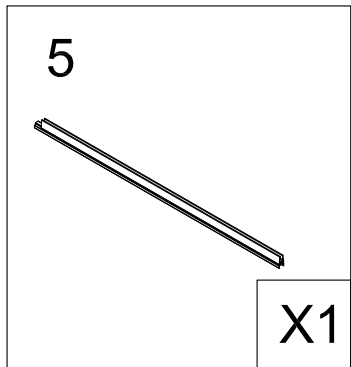
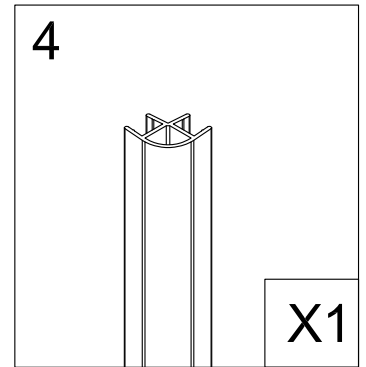
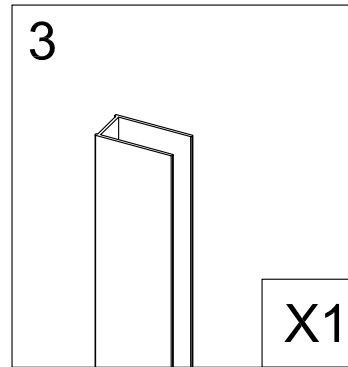
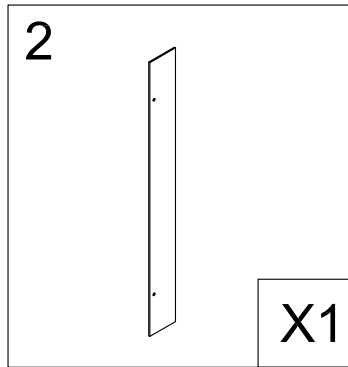
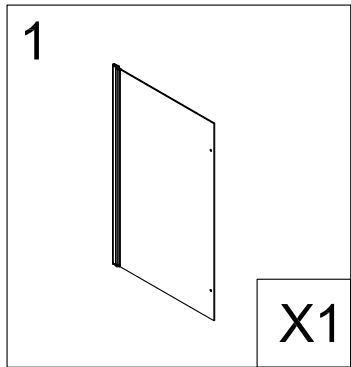
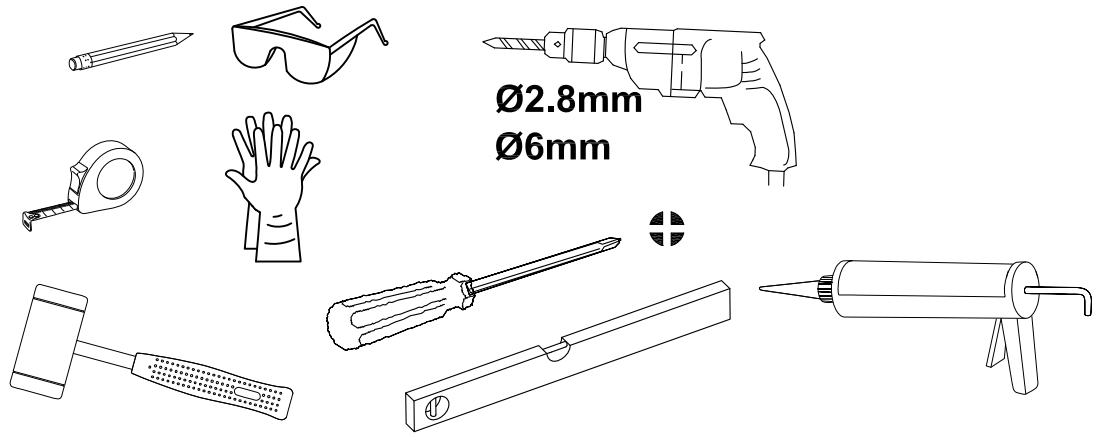
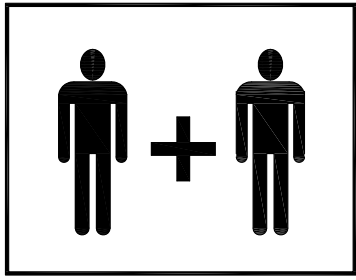


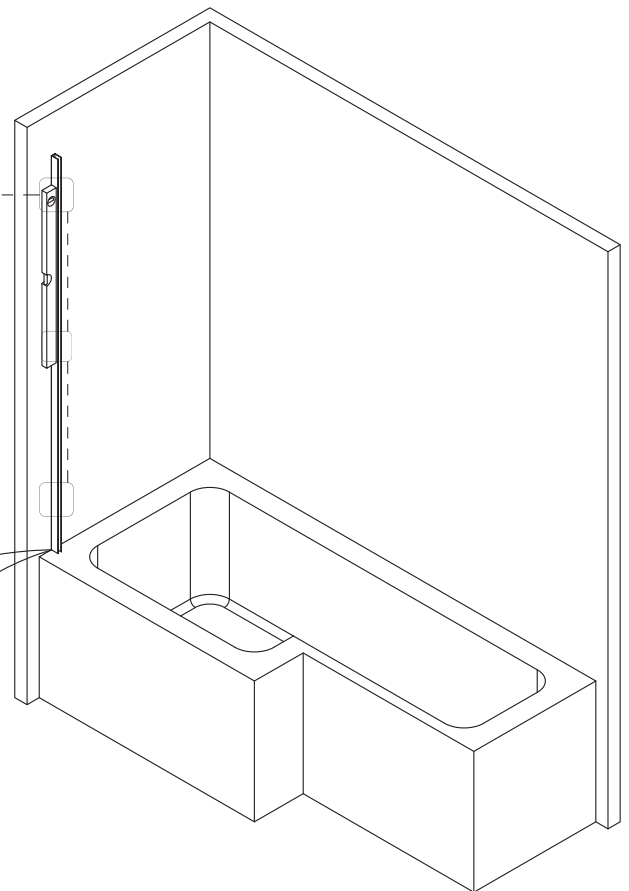
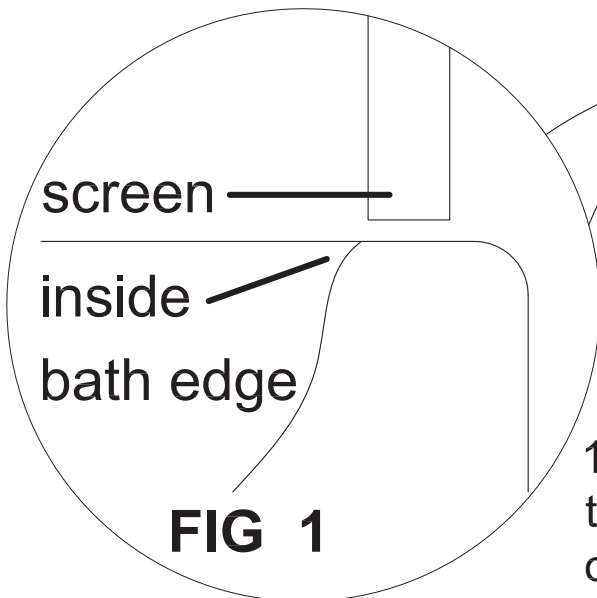
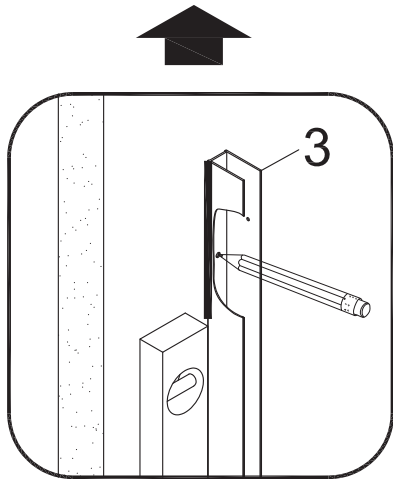
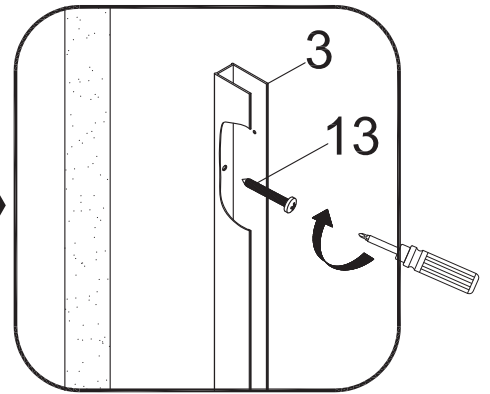
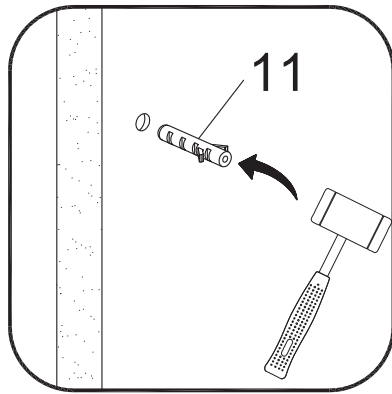
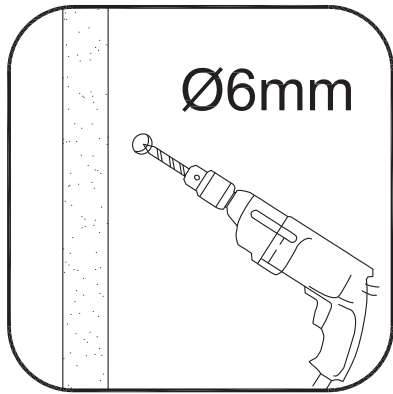
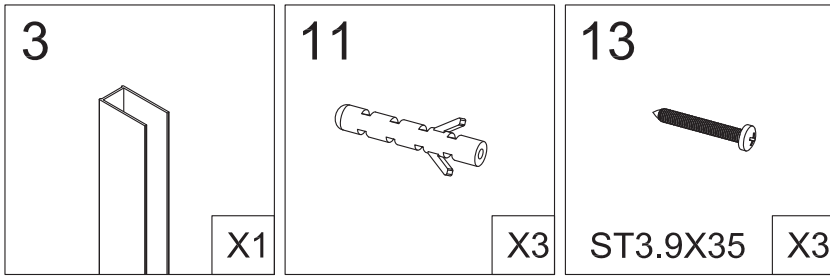
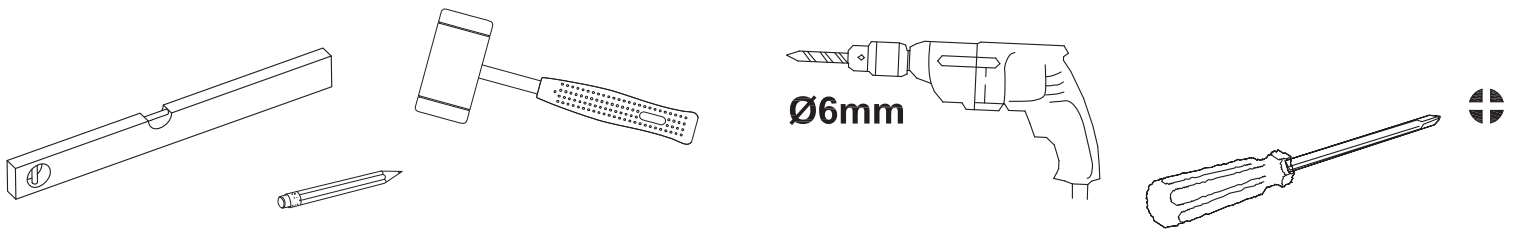
BATH SCREEN

ASSEMBLY GUIDE

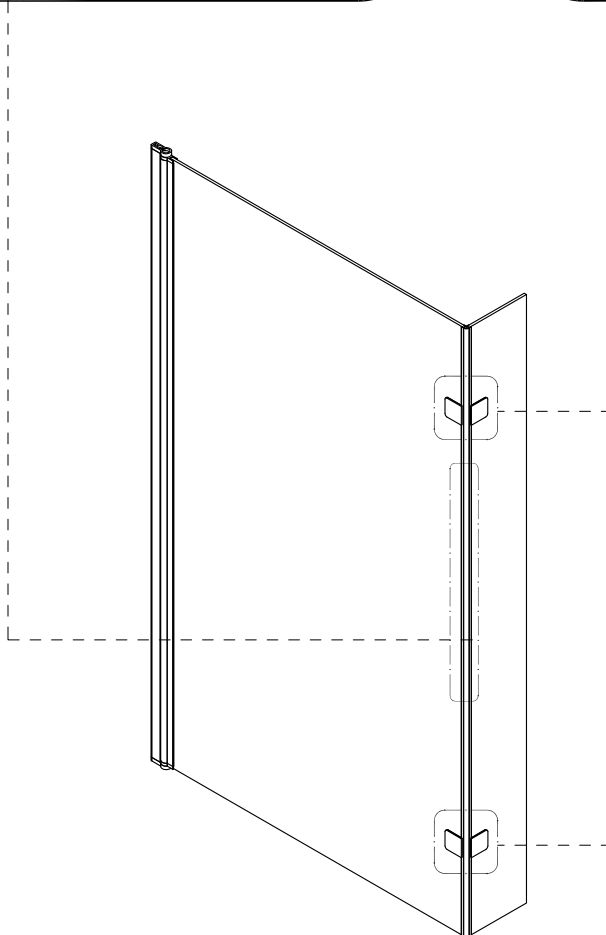
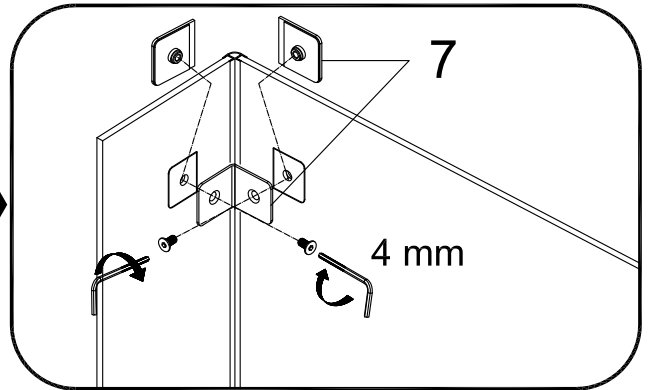
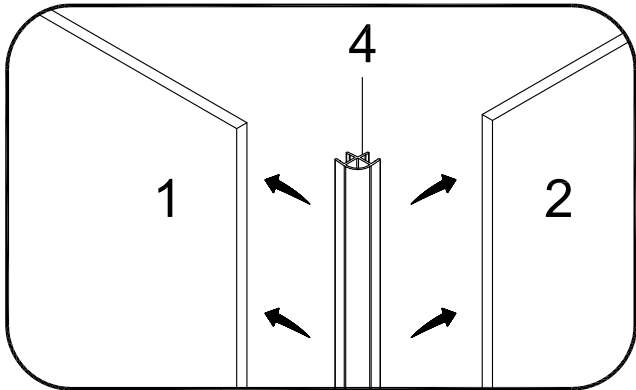
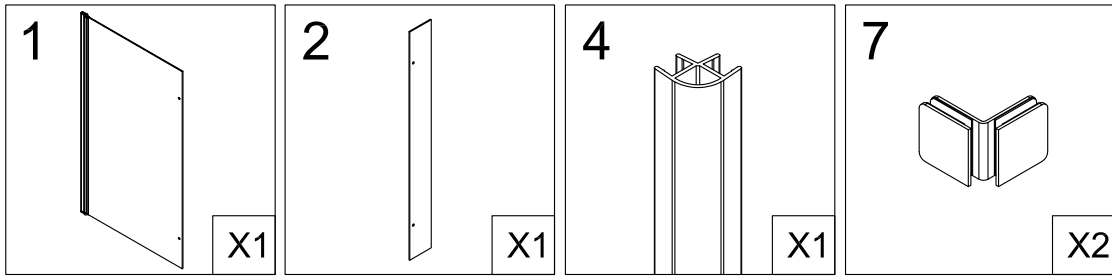
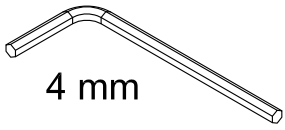


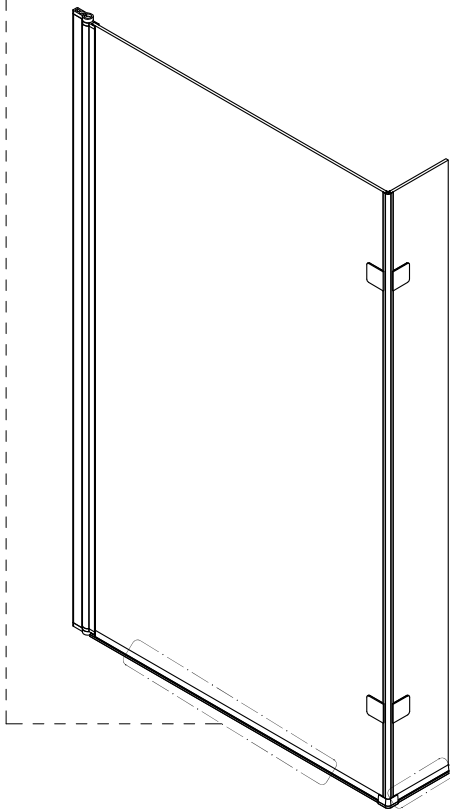
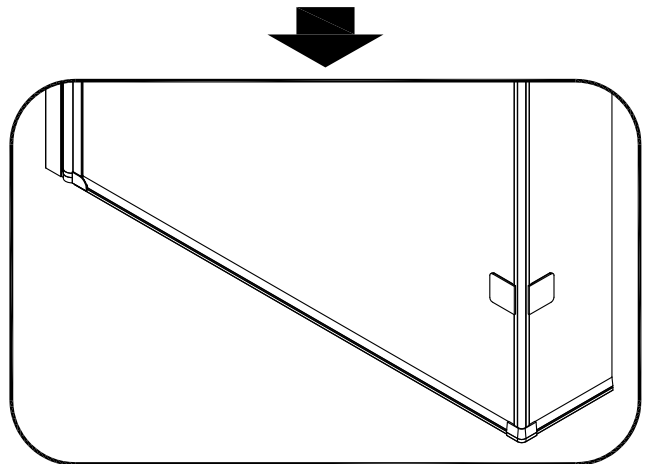
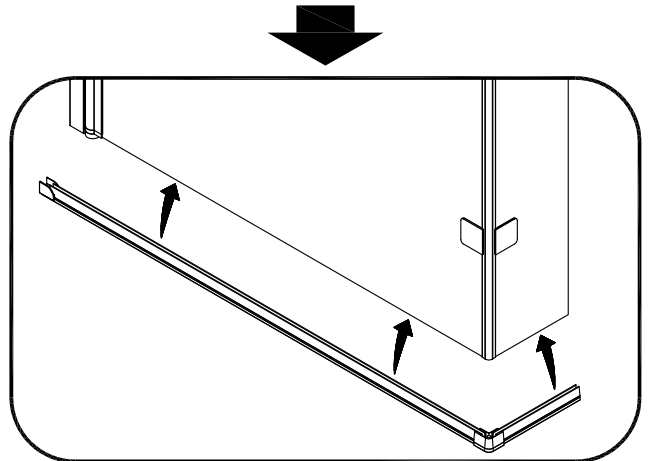
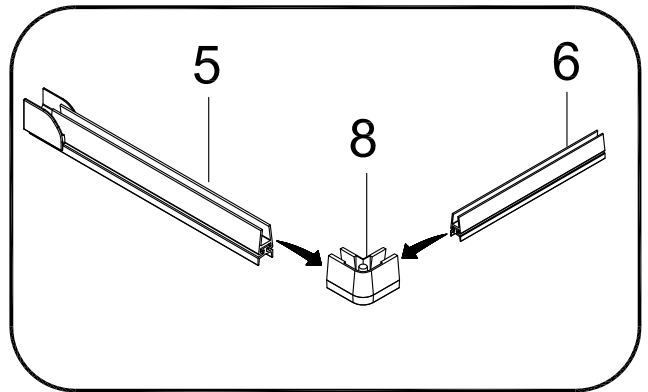
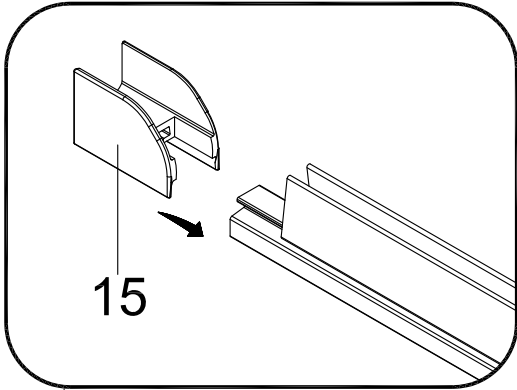
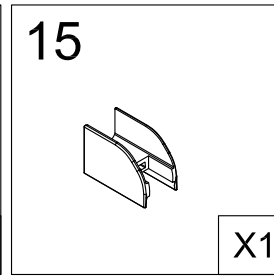
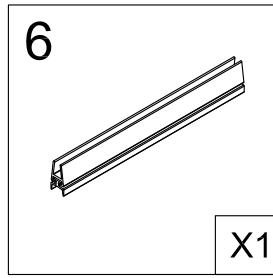
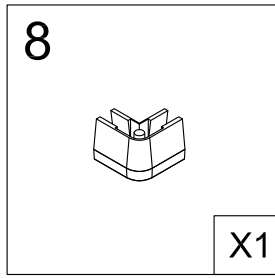
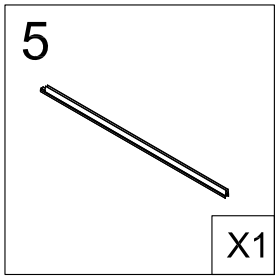


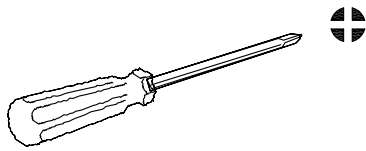
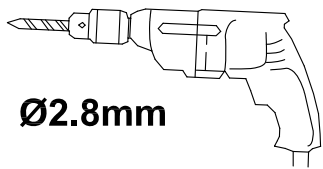







1. Position the wall profile so the seal on the moving panel sits on the inside edge of the bath .**FIG 1.**







9  X2	10  X2	12  ST3.5X10 X2
--	---	--

