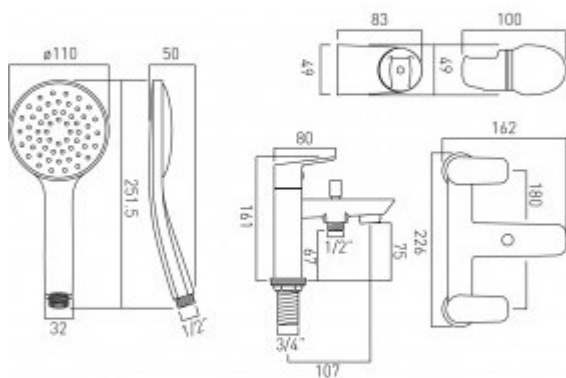




technical drawing



description:

2 hole bath shower mixer
deck mounted
with shower kit
cold ceramic cartridge ION-VALVE/CD/CL-3/4
hot ceramic cartridge ION-VALVE/CD/HT-3/4
2 x 3/4" fitted tails
1 x 1/2" shower outlet
deck mount drill hole diameter 28-30mm

finishes:

chrome

minimum operating pressure: 0.5 bar LP

Eco flow regulator: FR-SHOWER/9-C/P

guarantee:

12 year guarantee

VADO wedmore road cheddar somerset england bs27 3eb

tel 01934 744466 fax 01934 744345 sales@vado-uk.com www.vado-uk.com