

Topaz Wall Mounted Bath Spout & Stop Taps

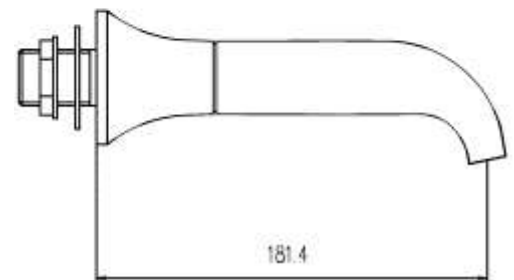
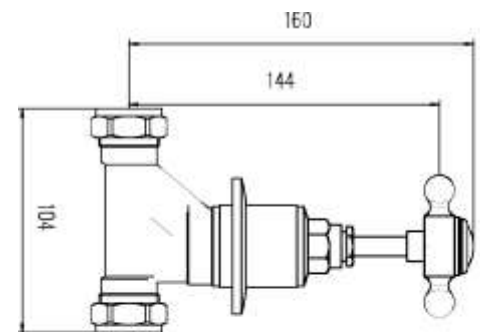
Barcode	5055146123699
Product Code	BC309
Finishes	Chrome
Product Type	Bath Spout
Water Pressure	LP1 - 0.1 bar pressure minimum
Standards	BS5412, EN200 and/or WRc/NSF
Requirement	Suitable for all plumbing systems



Guarantee & Aftercare

During installation extra care must be taken to avoid damaging the fittings. We provide a 20 year guarantee against faulty workmanship or materials (excluding serviceable parts), providing they have been installed, cared for and used in accordance with our instructions.

ADDITIONAL INFORMATION



COMPLIANCE: Pending

CUSTOMER CARE:

For further information please call 01282 446789

KEY TO PRODUCT PRESSURE REQUIREMENTS

LP - 0.1 bar min

LP2 - 0.2 bar min

MP - 0.5 bar min

HP1 - 1 bar min

HP2 - 2 bar min