

Triple Concealed Thermostatic Shower Valve

Barcode 5055146193975

Product Code ITY315

Finishes Chrome

Product Type Thermostatic Shower Valve

Water Pressure LP1 - 0.1 bar pressure minimum

Standards EN200 and/or WRc/NSF

Flowrates

Bar	Flow l/min
0.1	5.5
0.5	12
1	18
2	25
3	31



POWERED BY
VALQUEST

Requirement Suitable for all plumbing systems

Guarantee & Aftercare

During installation extra care must be taken to avoid damaging the fittings. We provide a 5 year guarantee against faulty workmanship or materials (excluding serviceable parts), providing they have been installed, cared for and used in accordance with our instructions.

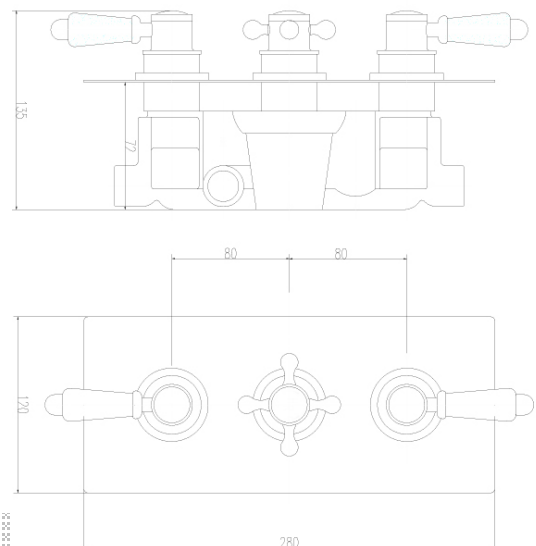
ADDITIONAL INFORMATION

- Can be fitted vertically or horizontally
- TMV2 Approved BC947/1111 Valquest VQ21
- TMV3 Approved BC1119/1212 Valquest VQ21

COMPLIANCE: BS EN1111 & BS EN1287

CUSTOMER CARE:

For further information please call 01282 446789



KEY TO PRODUCT PRESSURE REQUIREMENTS

LP - 0.1 bar min LP2 - 0.2 bar min MP - 0.5 bar min HP1 - 1 bar min HP2 - 2 bar min