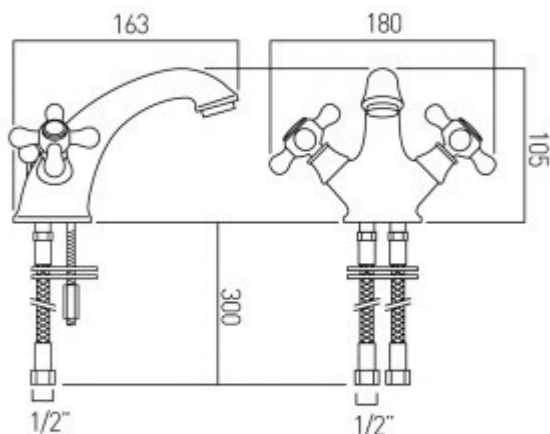




Technical sheet:
chrome: VIC-100/CD-C/P
antique gold: VIC-100/CD-A/G



technical drawing



description:

mono basin mixer
with pop-up waste
with water flow straightener
with water flow aerator
cold ceramic cartridge AST-VALVE/CD/CL-1/2
hot ceramic cartridge AST-VALVE/CD/HT-1/2
2 x 1/2" (nut) x 300mm flexipipe connections
deck mount drill hole diameter 33mm
chrome or antique gold

finishes:

chrome
antique gold

minimum operating pressure: 0.2 bar LP

ECO flow regulator: FR-100/5-PLA

guarantee:

chrome: 12 year guarantee
antique gold: 12 year guarantee

VADO wedmore road cheddar somerset england bs27 3eb

tel 01934 744466 fax 01934 744345 sales@vado-uk.com www.vado-uk.com