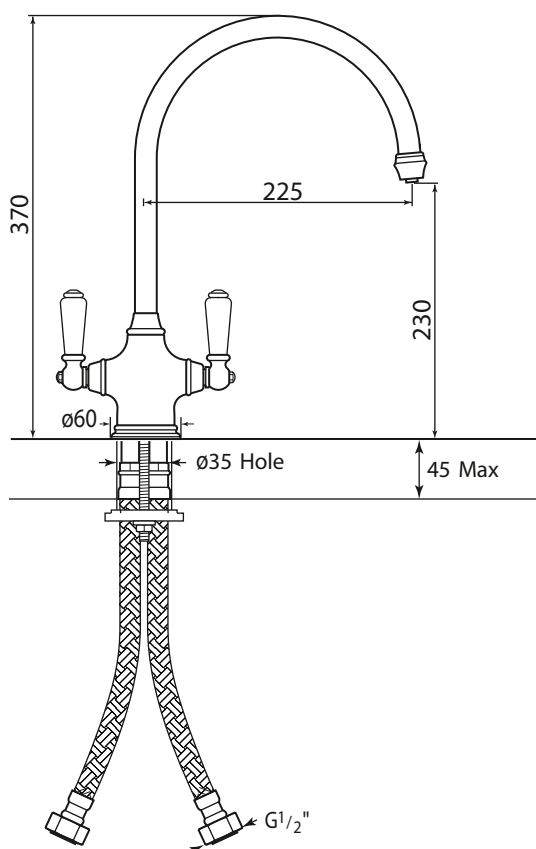


Specification 4460



Phoenician Monobloc Mixer with Porcelain Lever Handles

- 1/4 turn ceramic disc flow control.
- vernier insert for accurate handle alignment.
- unique handle construction with integral bearing ring.
- flexible connectors for easier installation.
- Biflow.
- Corian handles.
- flexible connectors for easier installation.



Temp Range:

min 1°C/34°F

max 85°C/185°F

Recommended working pressure:

min 0.2 bar/3psi

max 5 bar/75psi



Specification 4460



Phoenician Monobloc Mixer with Porcelain Lever Handles

- 1/4 turn ceramic disc flow control.
- vernier insert for accurate handle alignment.
- unique handle construction with integral bearing ring.
- flexible connectors for easier installation.
- Biflow.
- Corian handles.
- flexible connectors for easier installation.

Where * Indicated Specify Colour.

